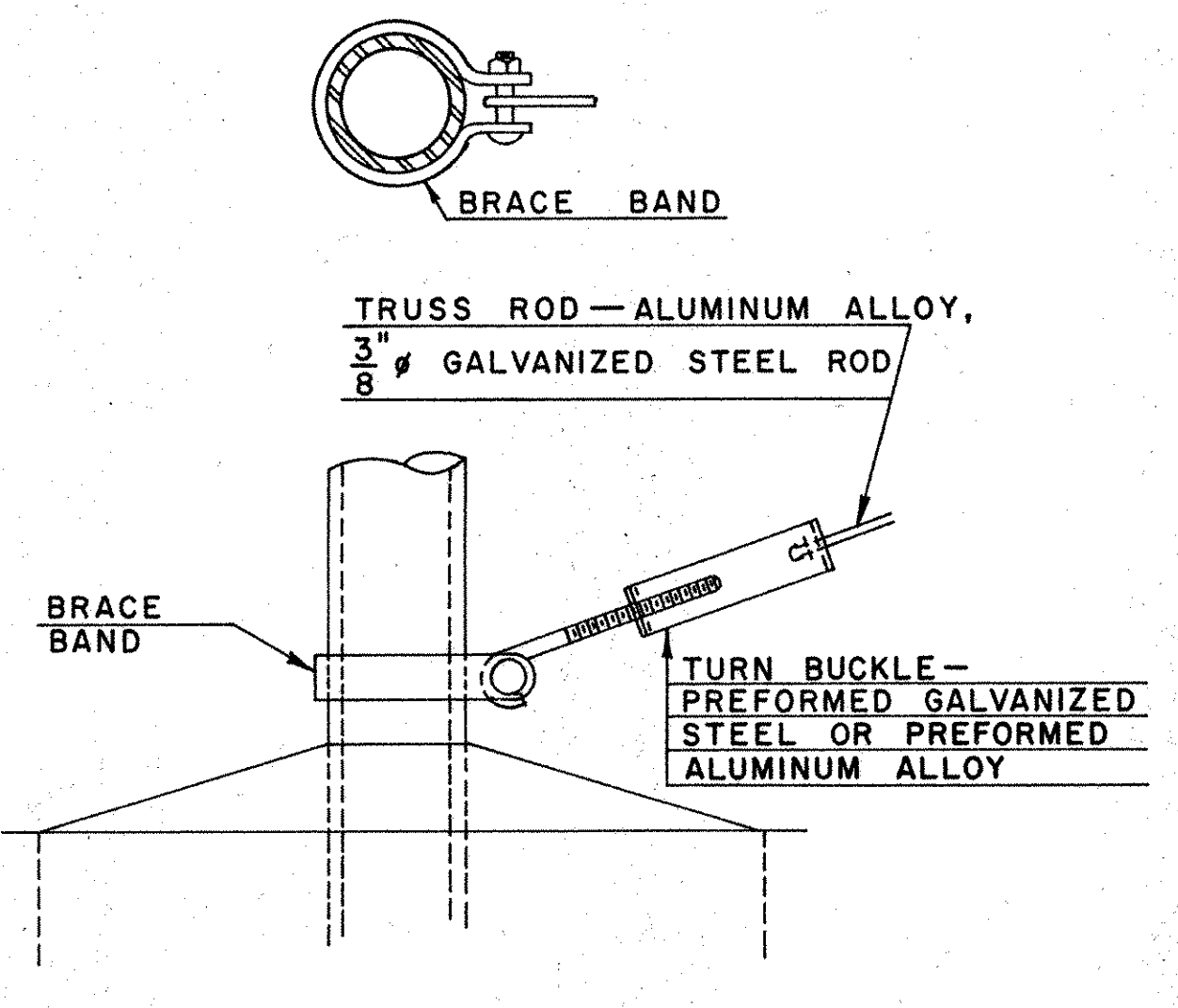


STANDARD SHEET M-4
CHAIN LINK FENCE

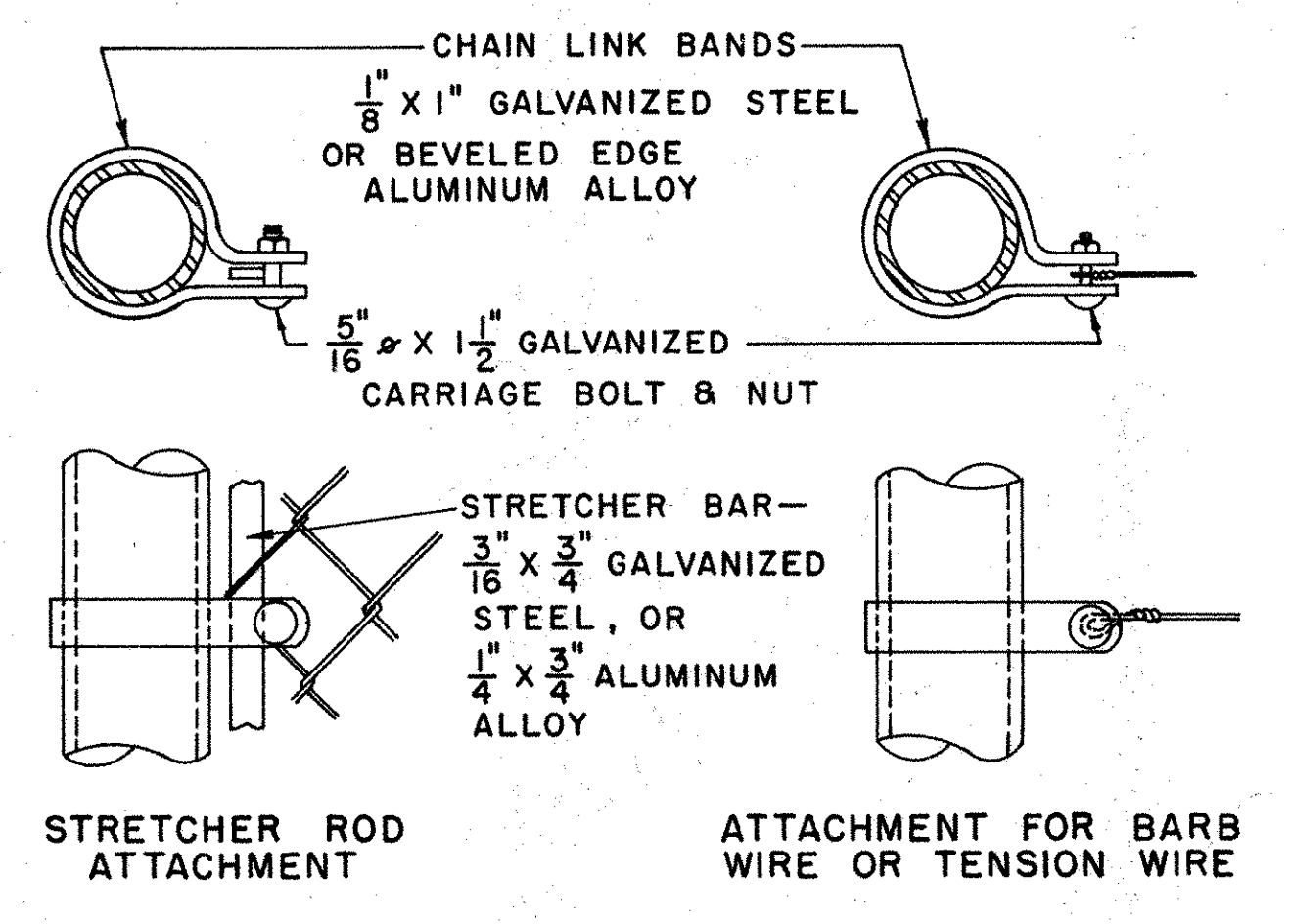
PREL. TRACING D.M.E. DESIGN E.L.W. CHKD.

REVISIONS

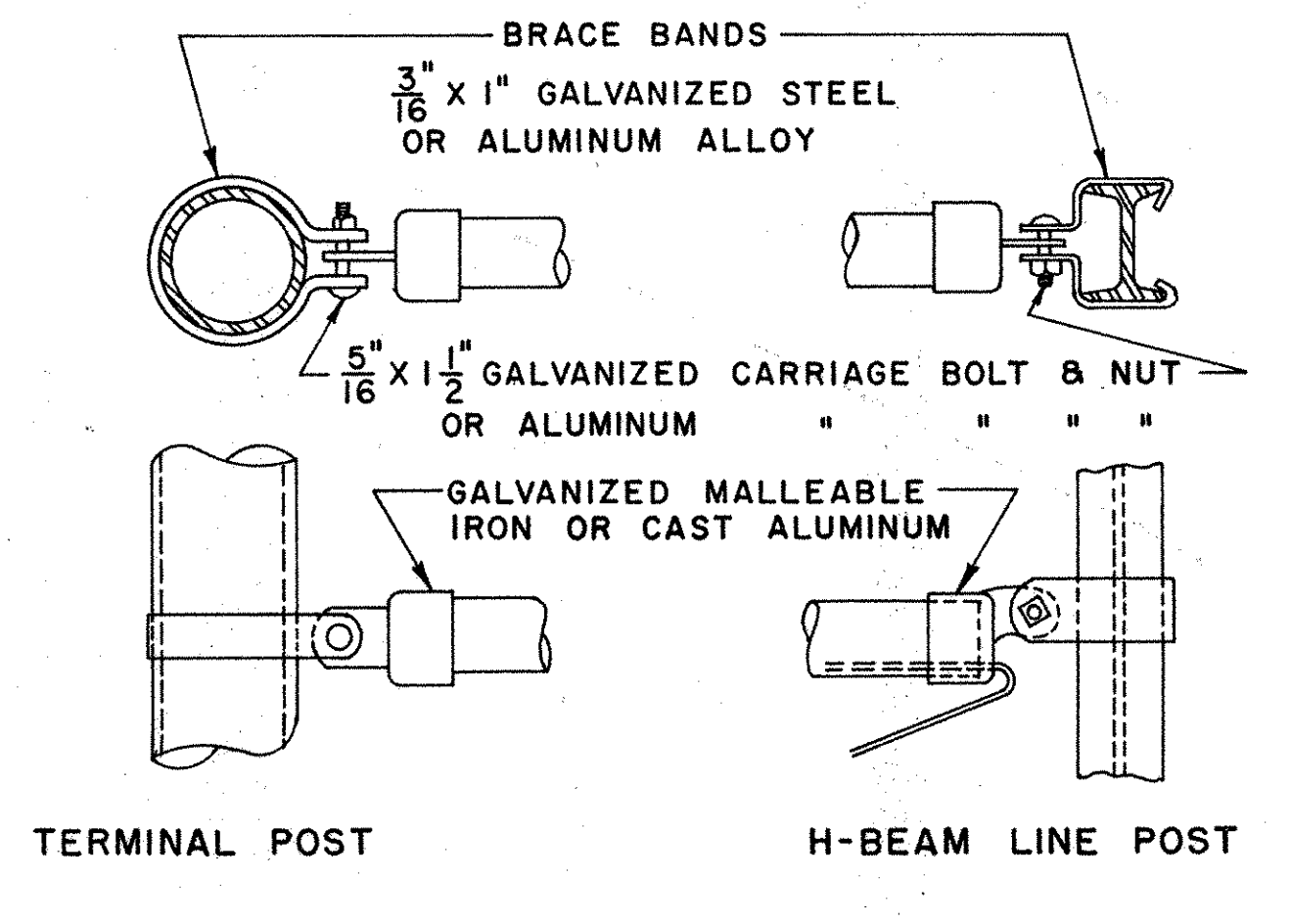
APPROVED *E.L.W.* 5/24
DIRECTOR OF HIGHWAYS DATE
Jae S. Robinson 5/29/71
CHIEF ENGINEER DATE



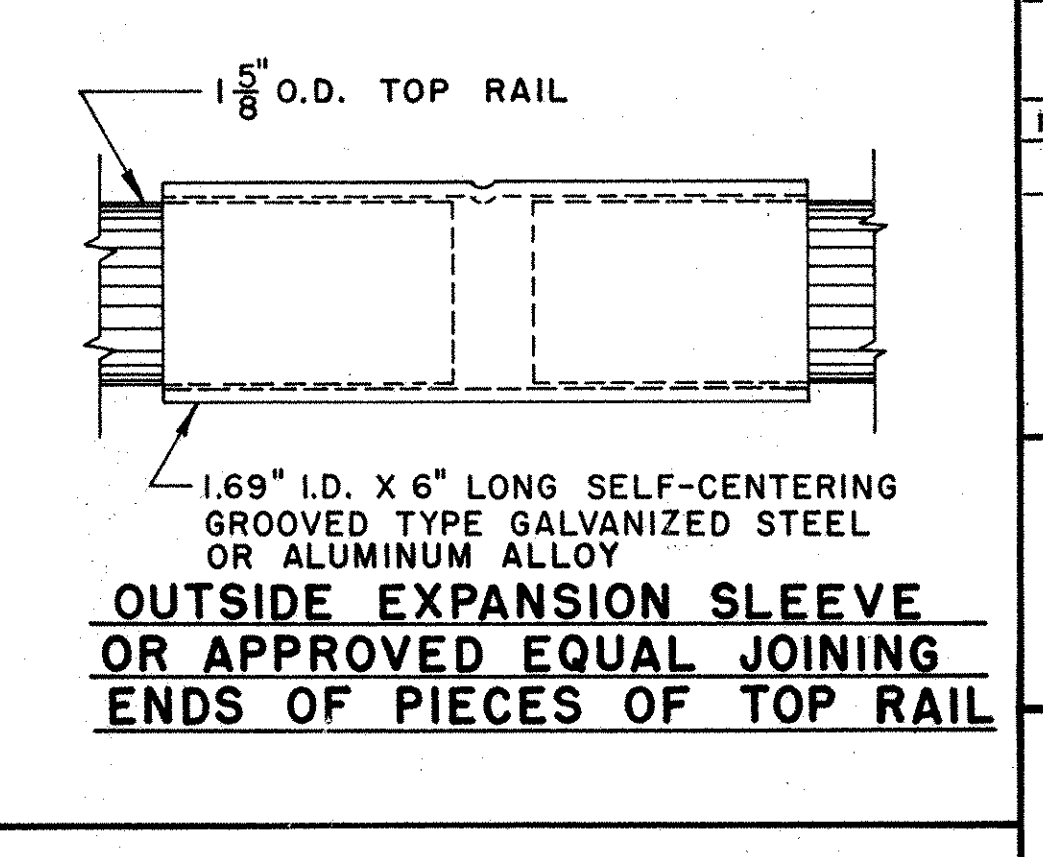
TRUSS BRACE ATTACHMENT FOR ROUND CONSTRUCTION



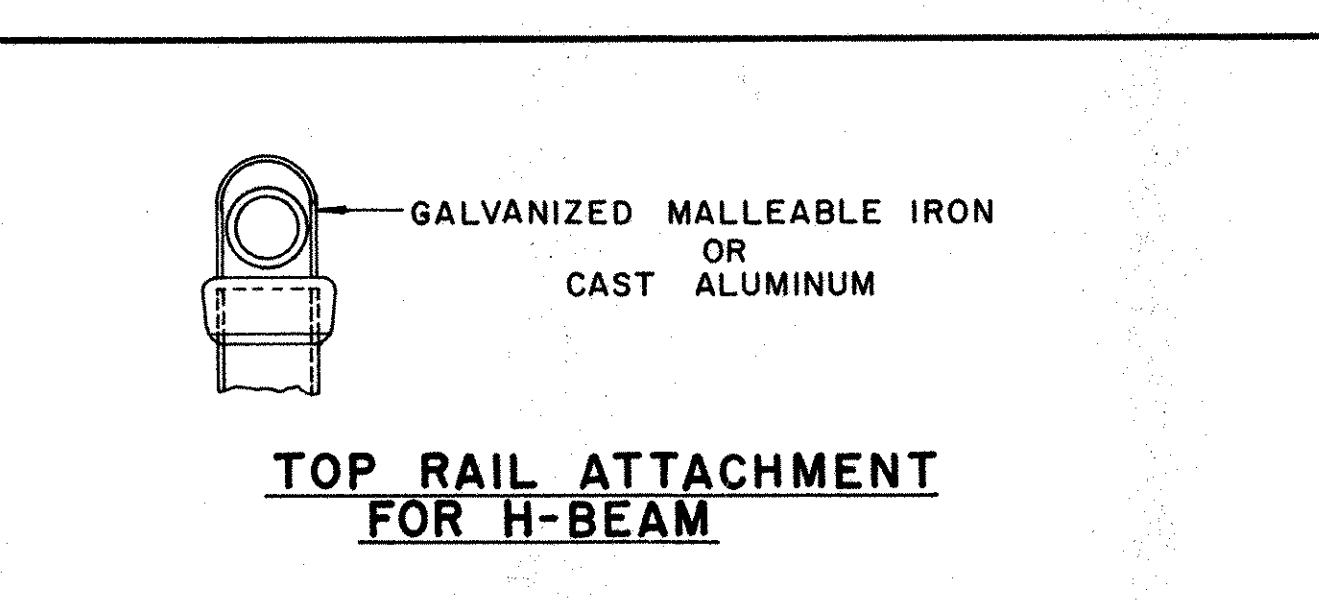
ROUND CONSTRUCTION TERMINAL POSTS



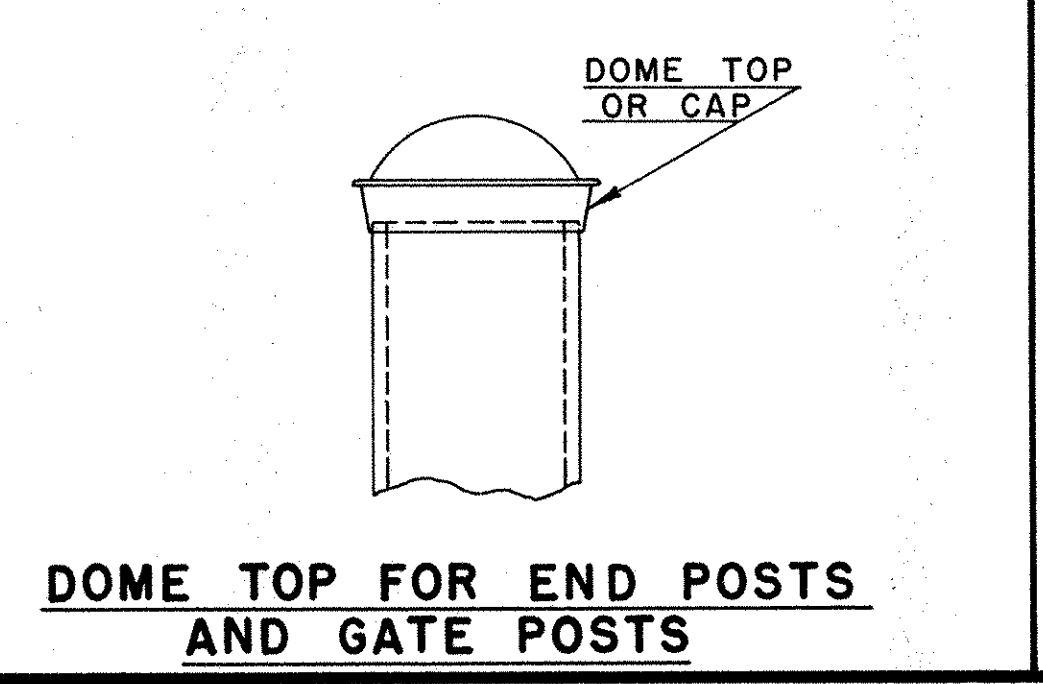
TOP OR BRACE RAIL ATTACHMENT FOR ROUND CONSTRUCTION



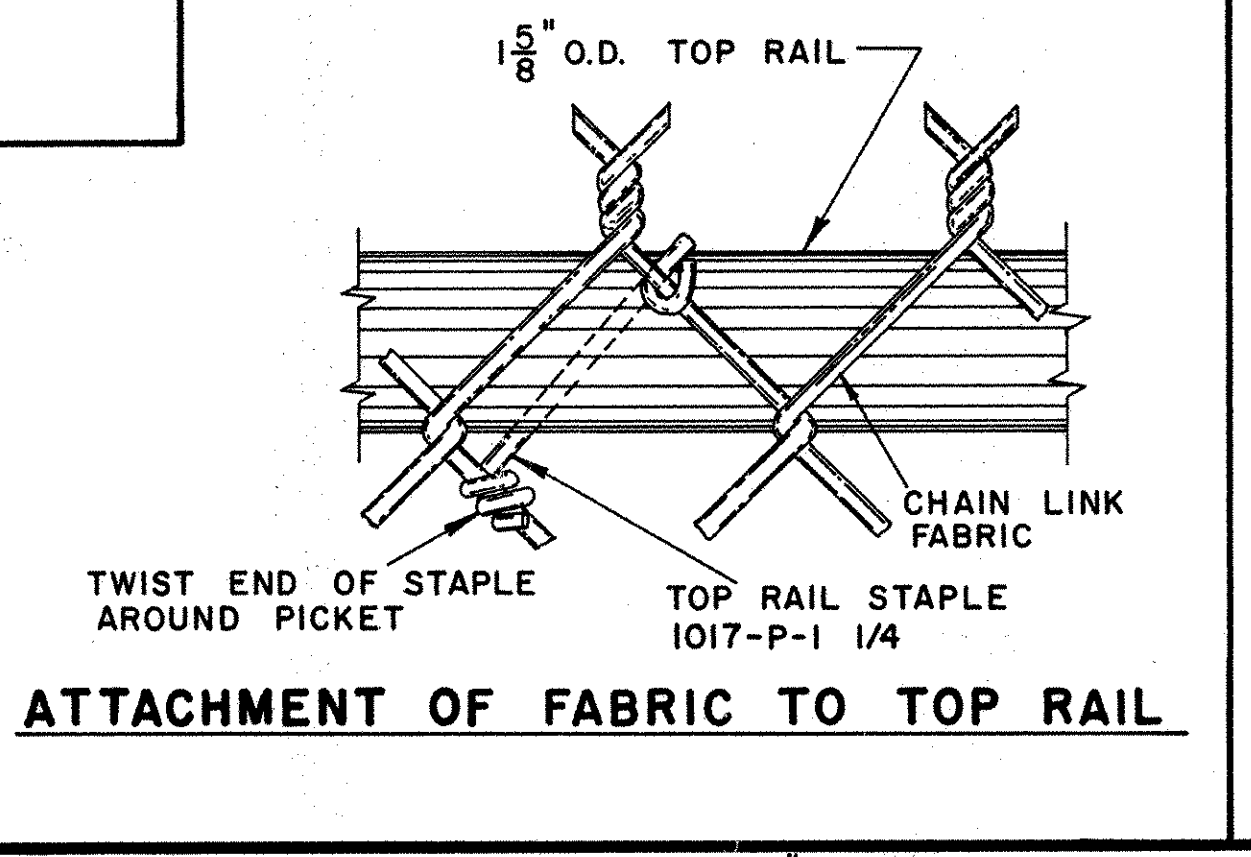
OUTSIDE EXPANSION SLEEVE OR APPROVED EQUAL JOINING ENDS OF PIECES OF TOP RAIL



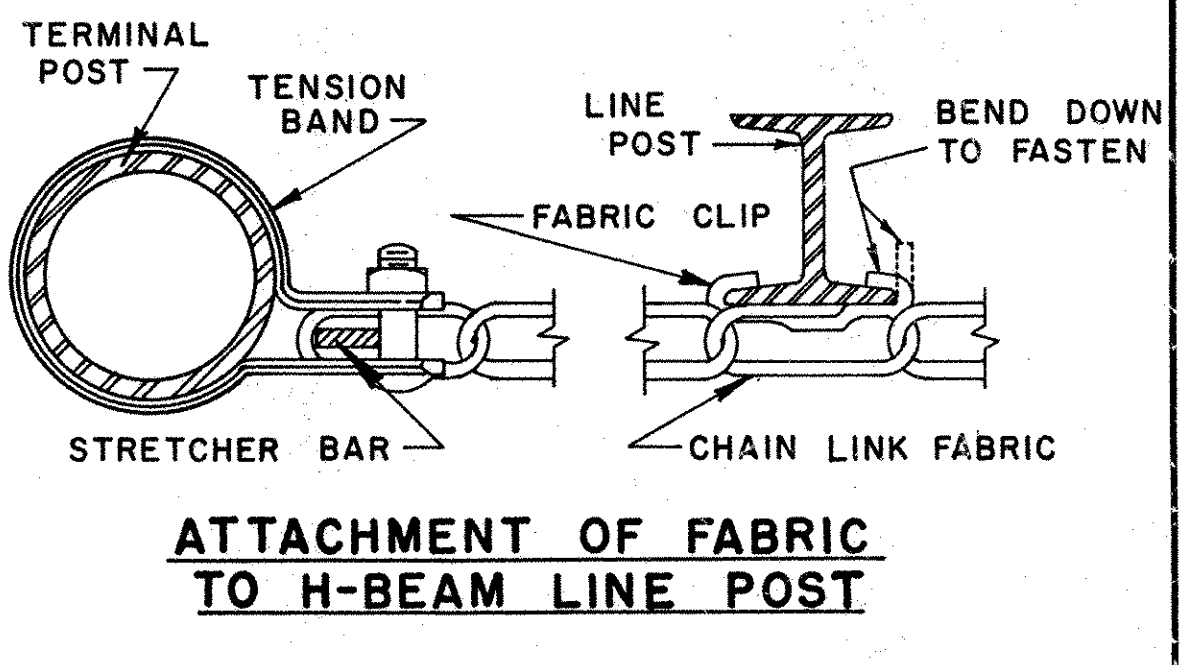
TOP RAIL ATTACHMENT FOR H-BEAM



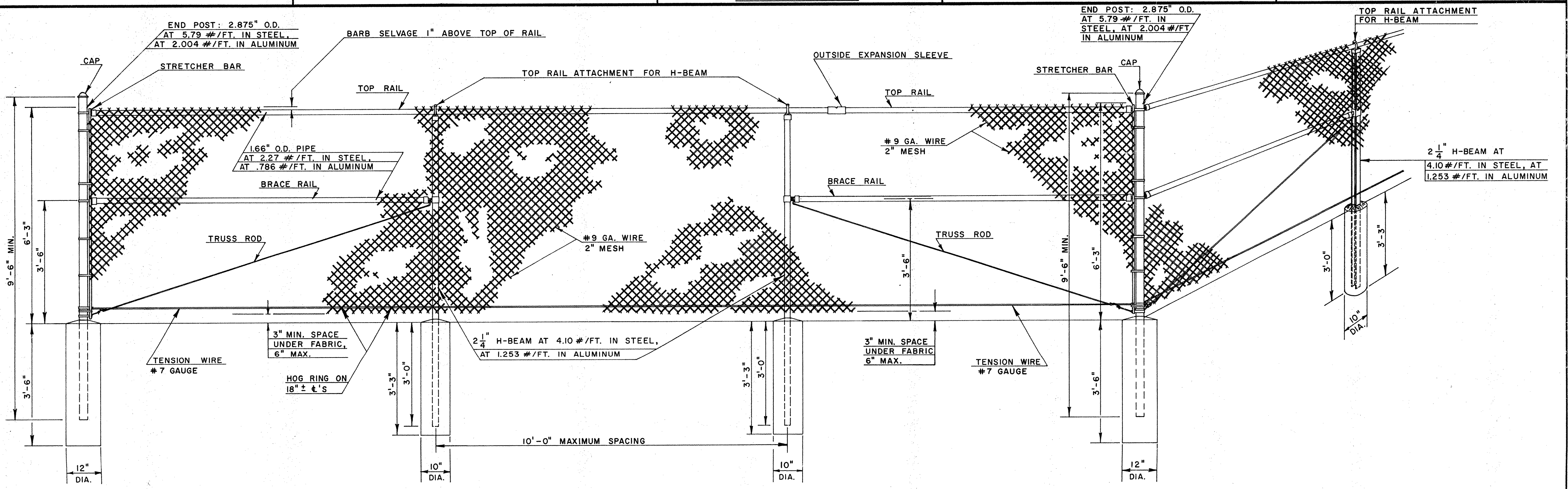
DOMES TOP FOR END POSTS AND GATE POSTS



ATTACHMENT OF FABRIC TO TOP RAIL



ATTACHMENT OF FABRIC TO H-BEAM LINE POST



CHAIN LINK FENCE
SCALE: 0 1 2 3