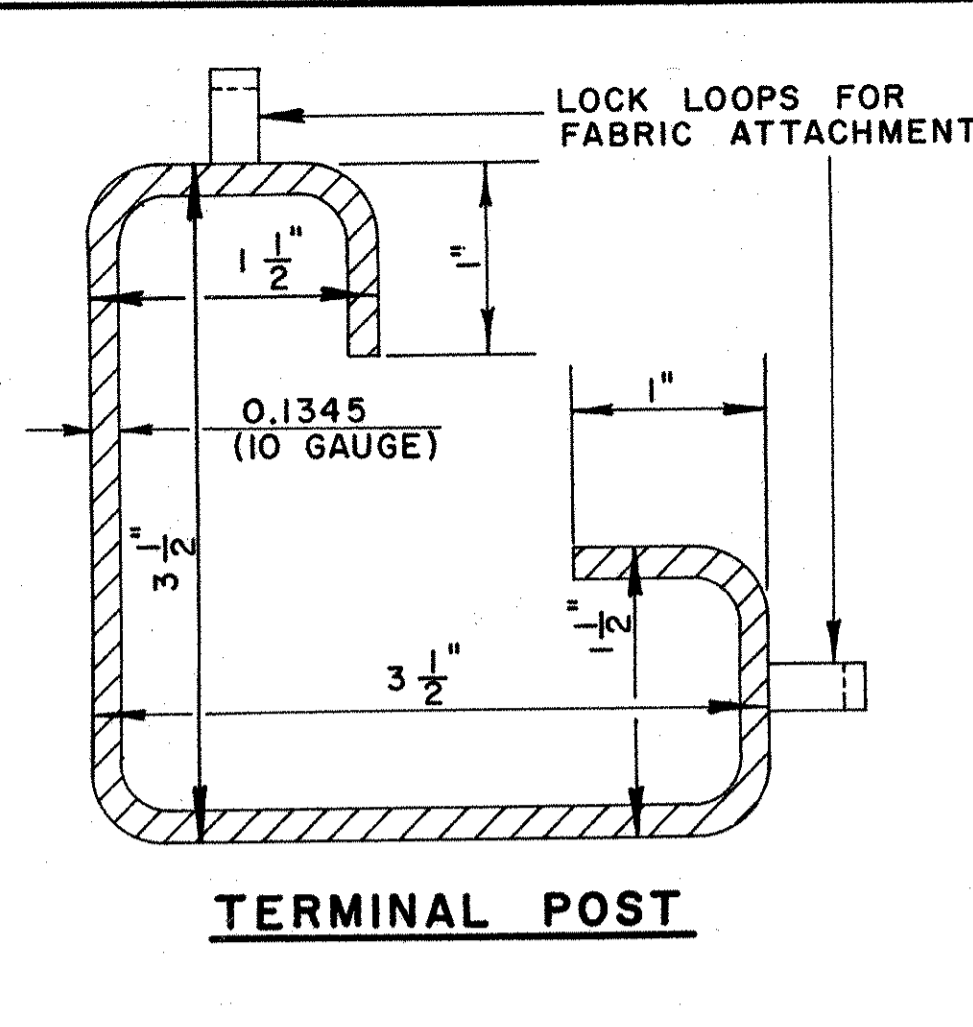
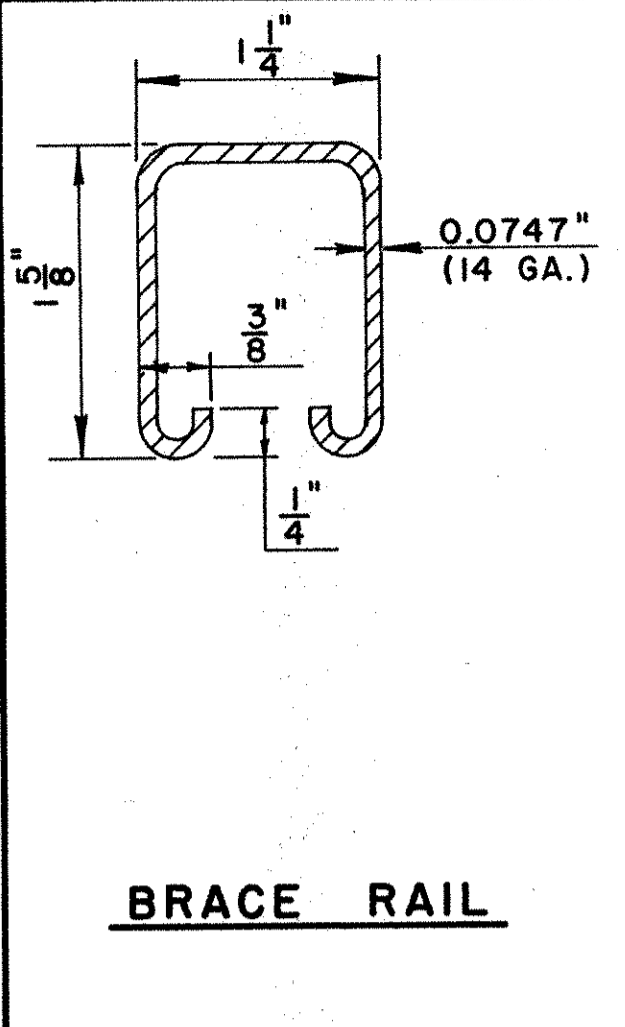


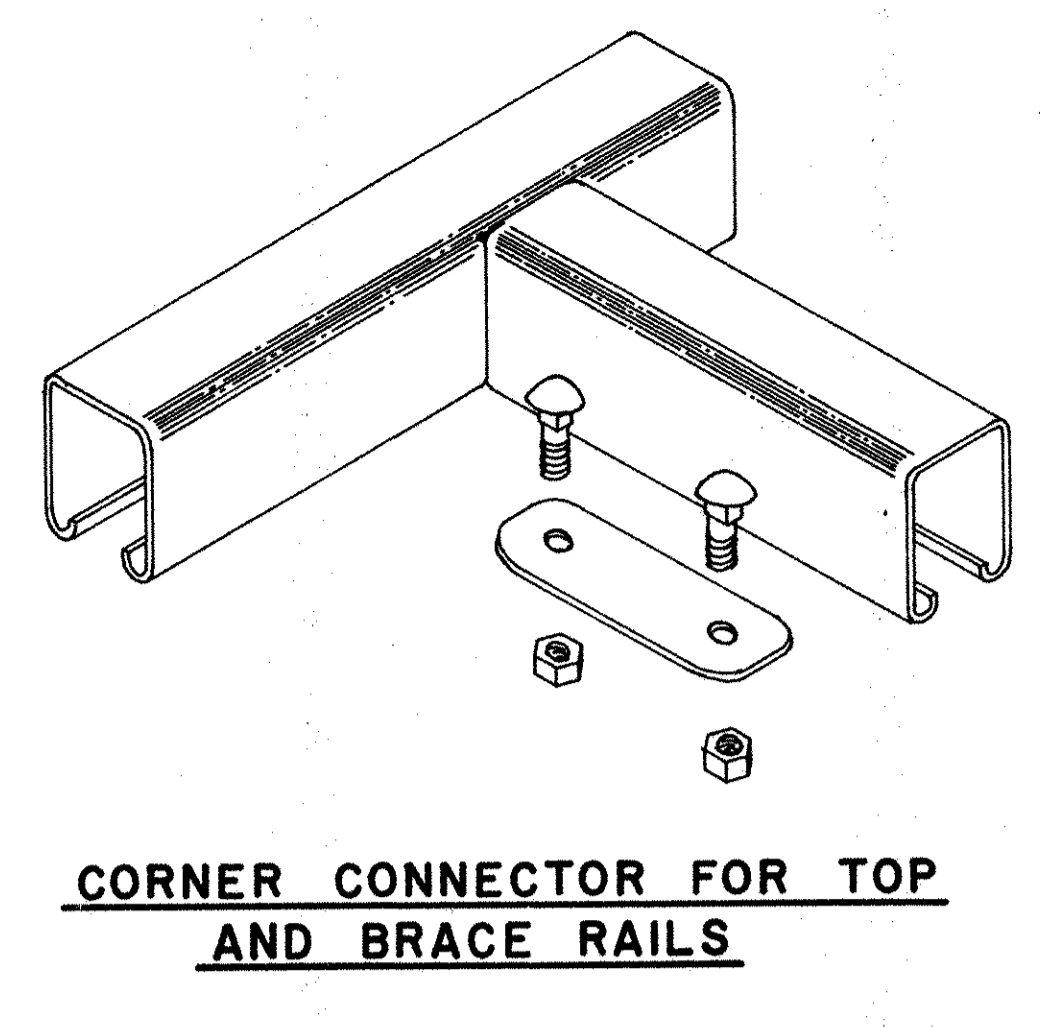
COUNTY	CONTRACT	P. R. A. REG. NO.	STATE	FED. AID PROJECT NO.	SHEET NO.	TOTAL SHEETS
	2		DEL.			
STANDARD SHEET M-5						
CHAIN LINK FENCE DETAILS						
PREL. TRACING D.M.E.		DESIGN E.L.W.			CHKD.	
REVISIONS						
APPROVED <i>[Signature]</i>					5-24-71	DATE
Joe S. Robinson					5/24/71	DATE
CHIEF ENGINEER						



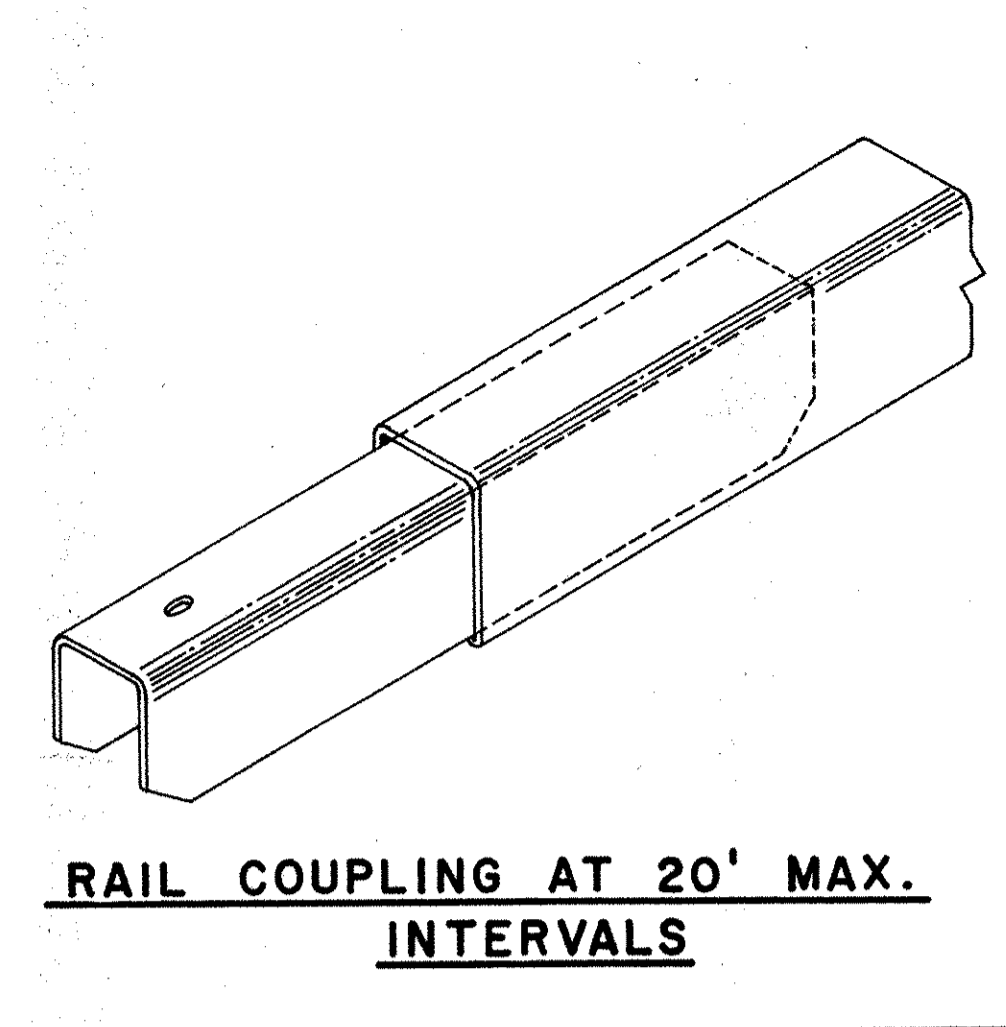
TERMINAL POST



BRACE RAIL

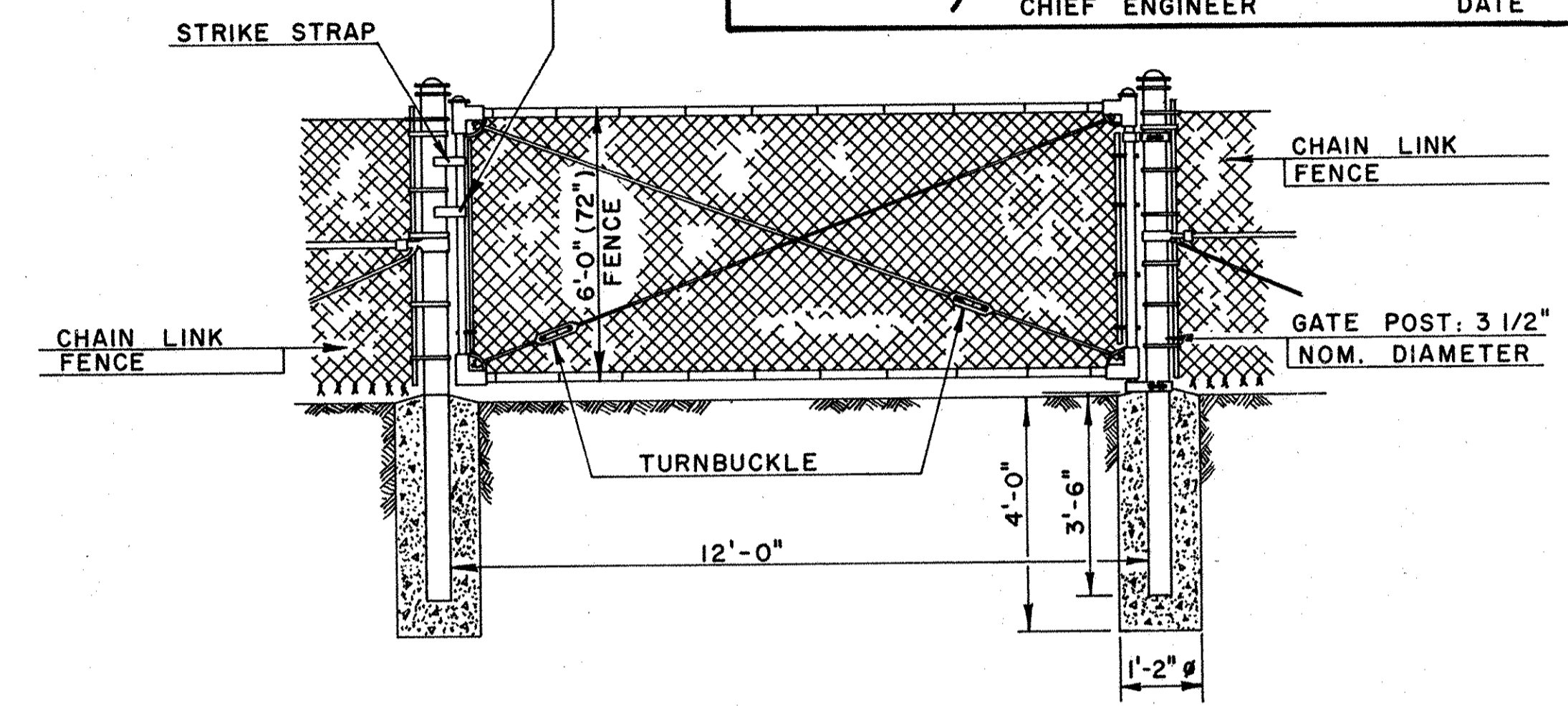


CORNER CONNECTOR FOR TOP AND BRACE RAILS

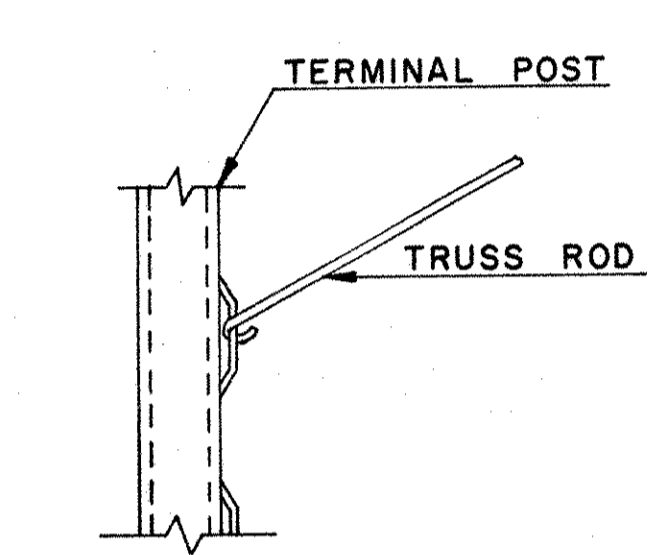


RAIL COUPLING AT 20' MAX. INTERVALS

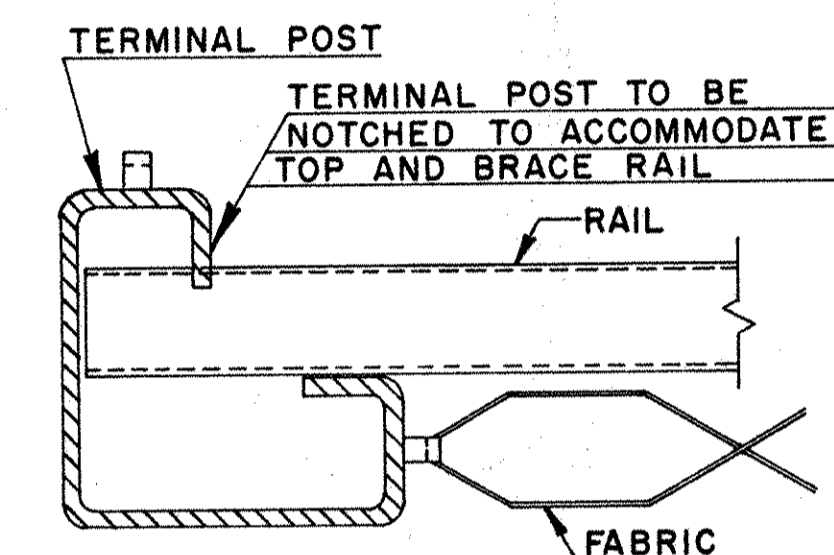
LATCH ASSEMBLY. PROVIDE LOCK WITH 2 KEYS & A MASTER KEY FOR ALL GATES



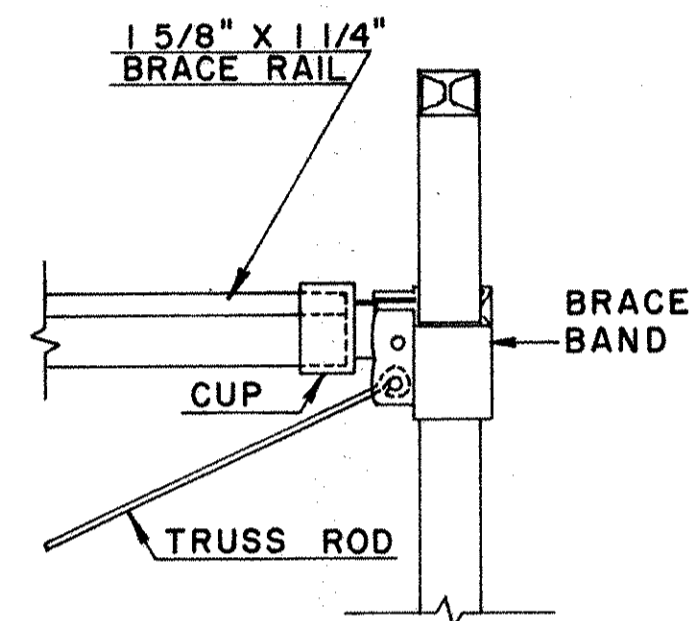
VEHICULAR GATE FOR CHAIN LINK FENCE



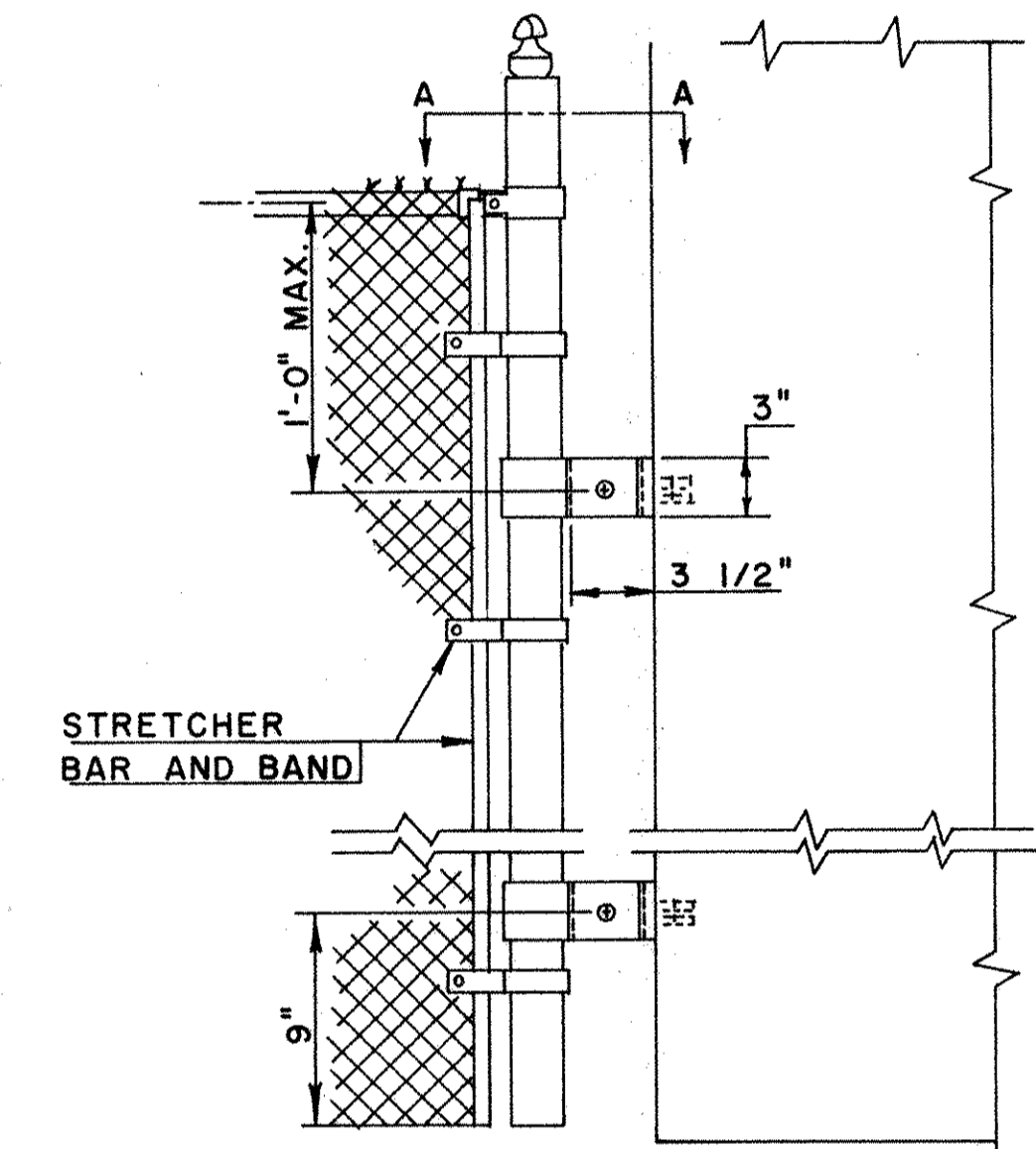
DETAIL "A"



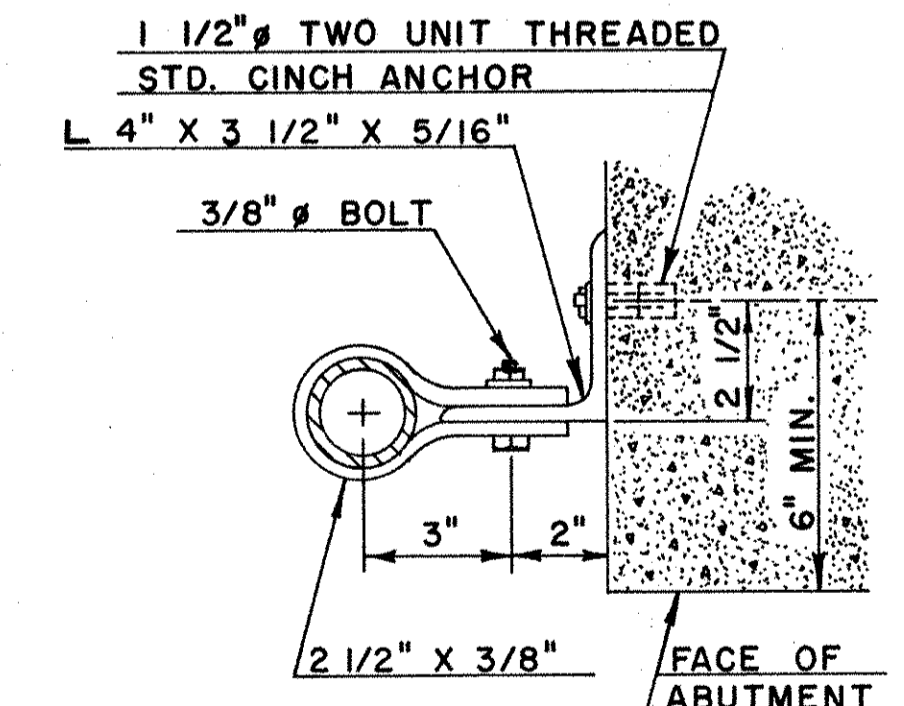
DETAIL "B" ALTERNATE ROLL FORMED TERMINAL POST



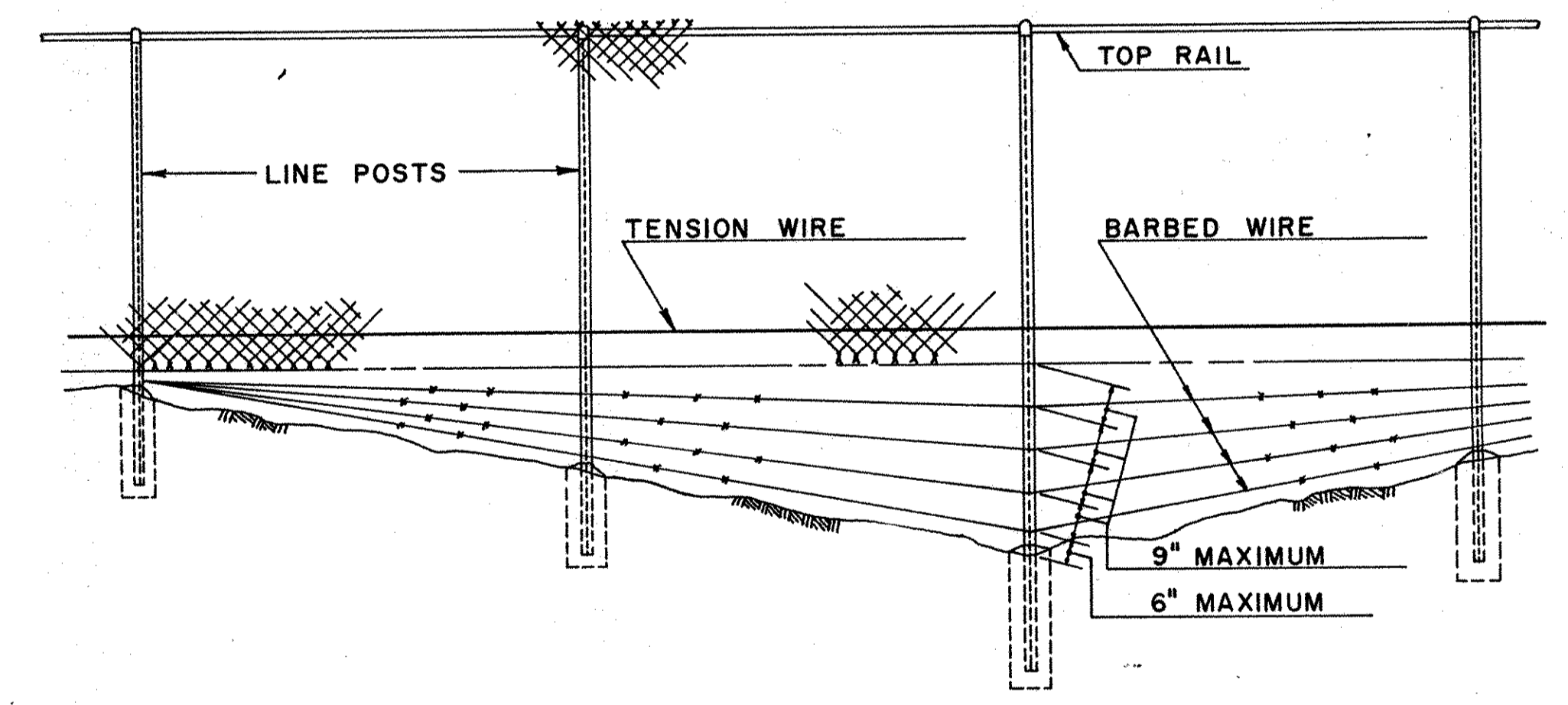
DETAIL "C" BRACE & TRUSS CONNECTION AT LINE POST



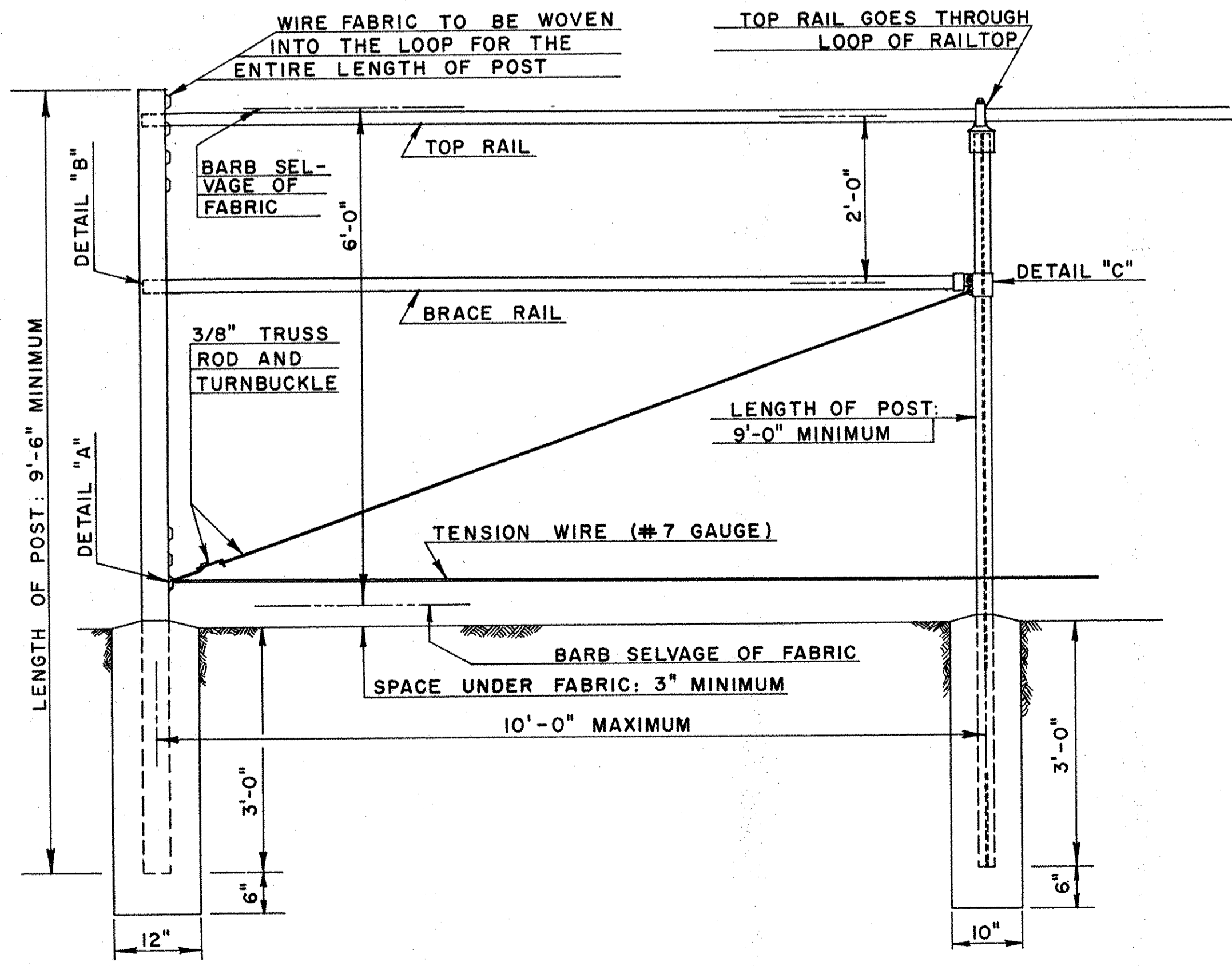
ABUTMENT CONNECTION (STANDARD CLOSURE SECTION)



SECTION A-A



DEPRESSIONS OVER 6" DEEP



ALTERNATE ROLL FORMED TERMINAL POST ASSEMBLY

SCALE: 1" = 1'-0"

FLAP GATE DETAIL NO SCALE

