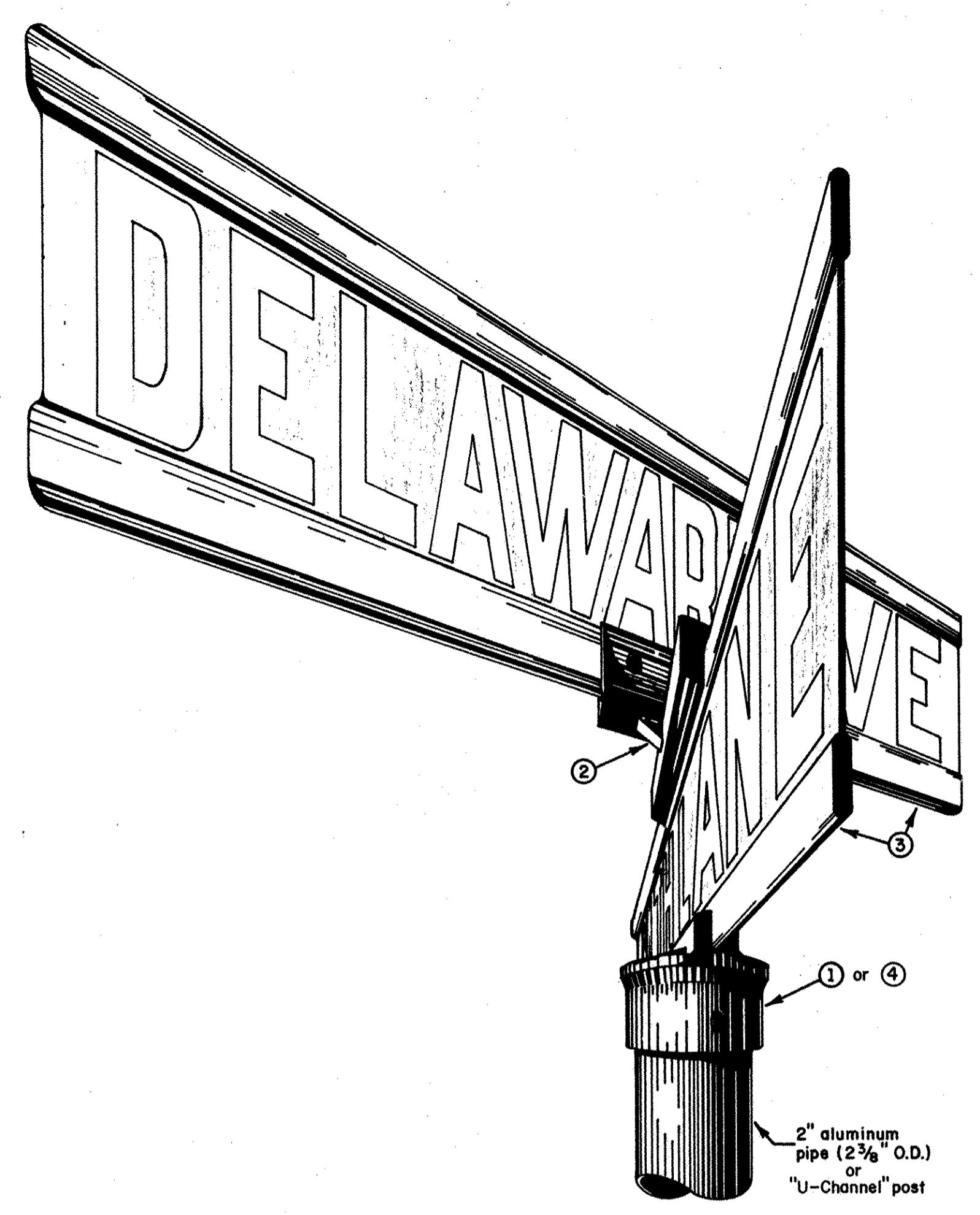


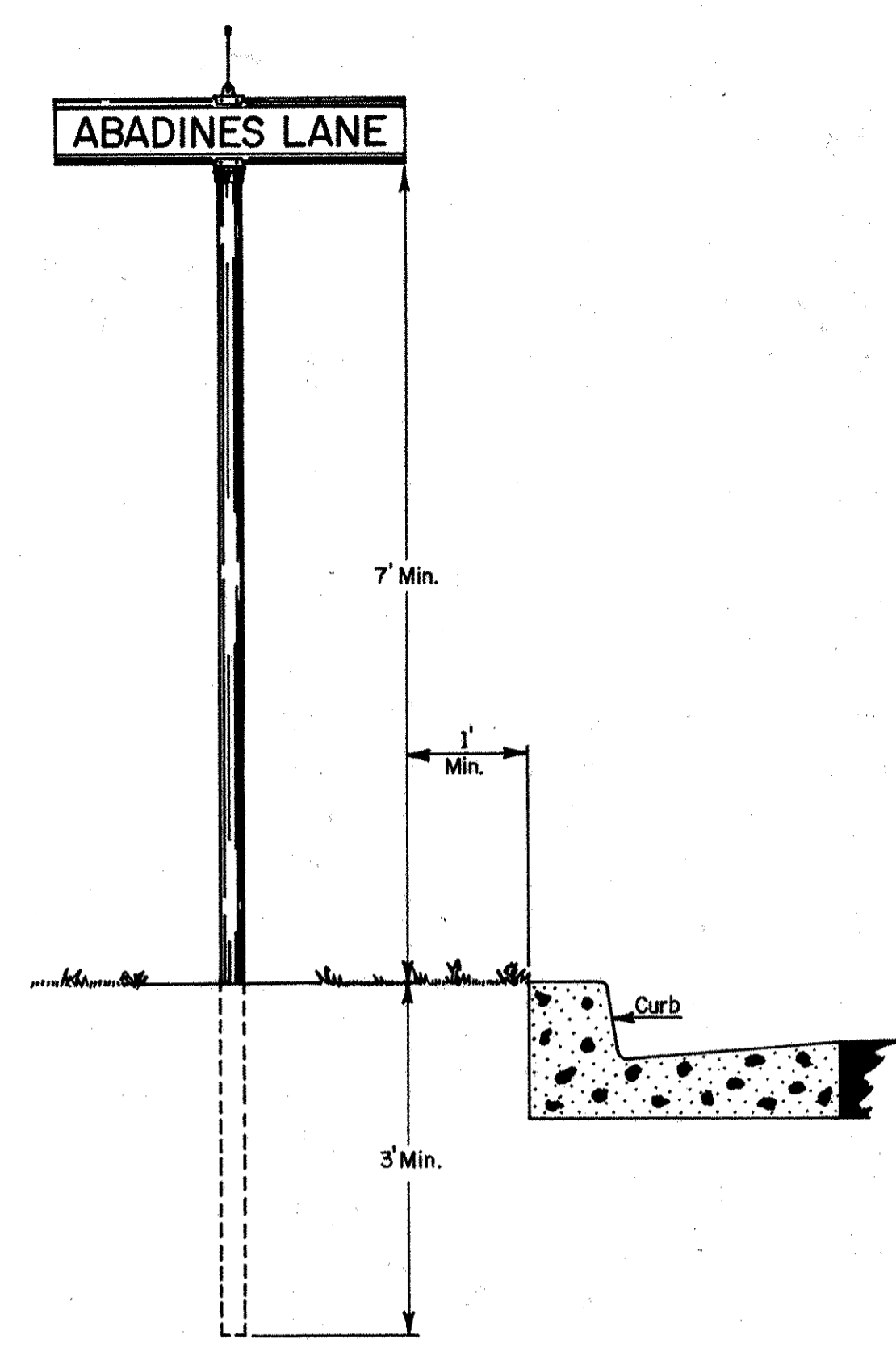
STREET OR ROAD NAME SIGNS

PREL. TRACING	R.F.R.	DESIGN	R.T.C.	CHKD.	R.T.C.
RECOMMENDED	2/19	1976	R. E. Jousseth		CHIEF ENGINEER
APPROVED	2-19	1976	R. P. Faber		DIRECTOR OF HIGHWAYS
REMOVED 18" x 18" FOOTING 11-23-77 R.F.R.					

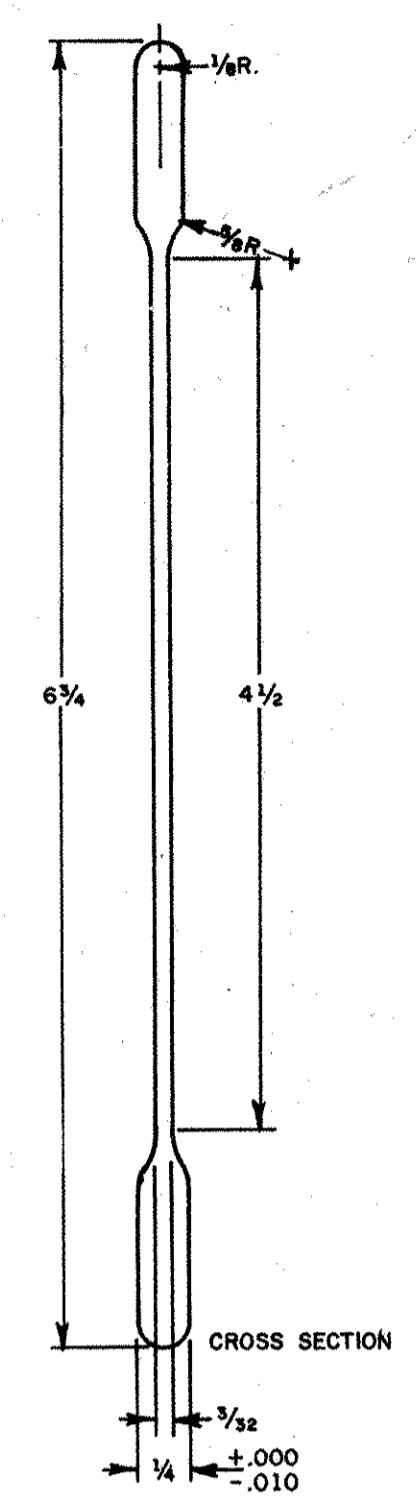


TYPICAL ASSEMBLY

**STREET OR ROAD NAME SIGNS**  
Four way aluminum intersection sign having a 2" aluminum pipe post and a 4" silver reflectorized letters on a green background of reflectorized sheeting mounted on 6 3/4" aluminum sign panel blades.

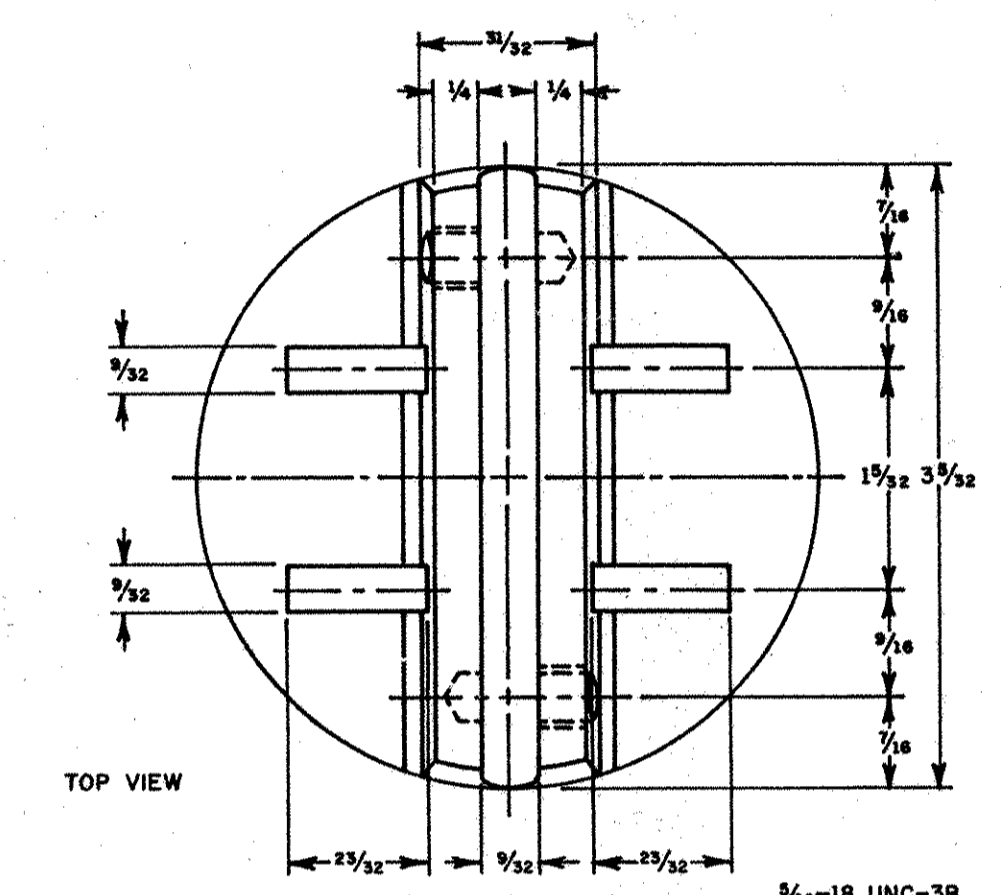


TYPICAL INSTALLATION

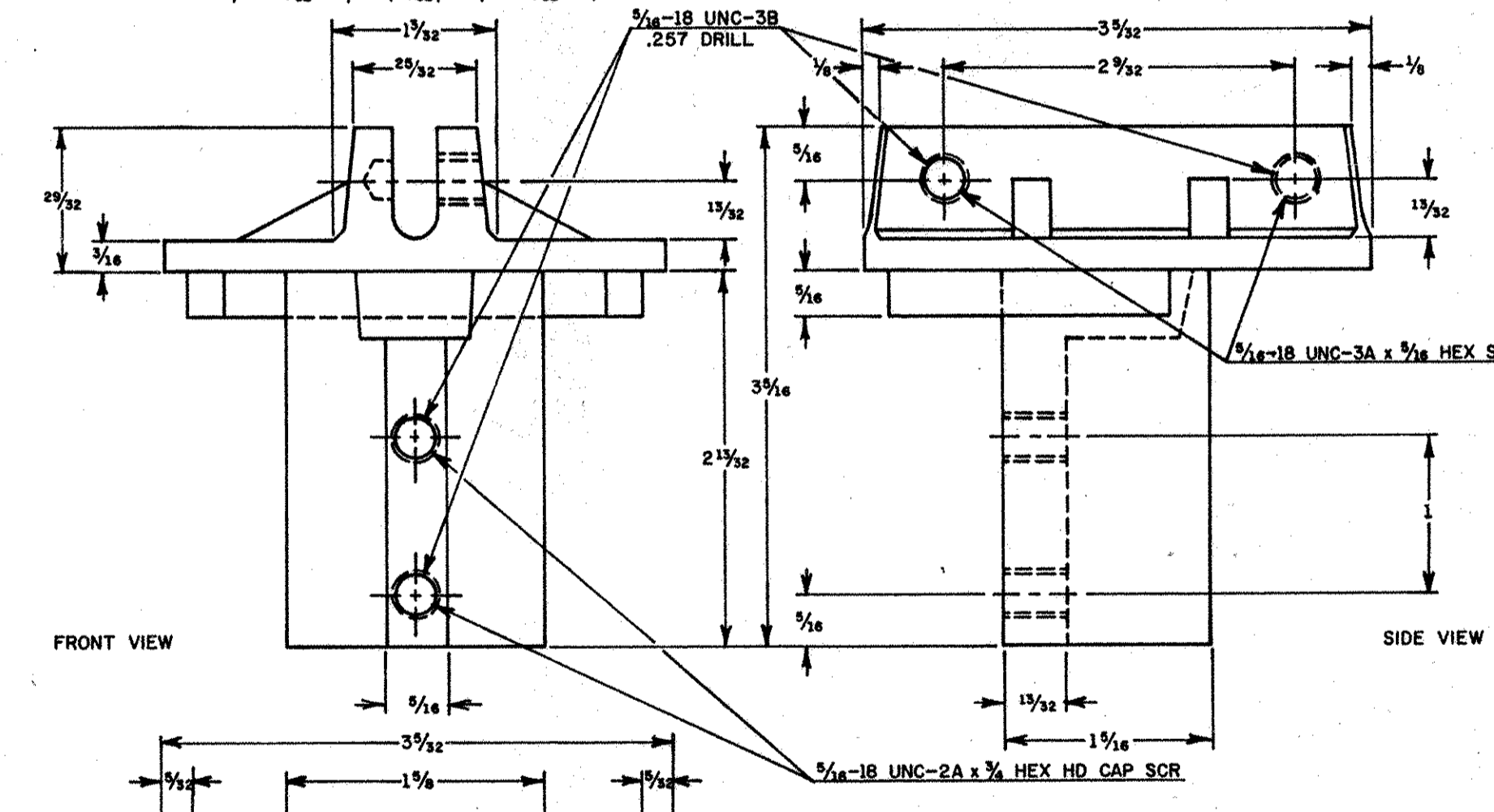
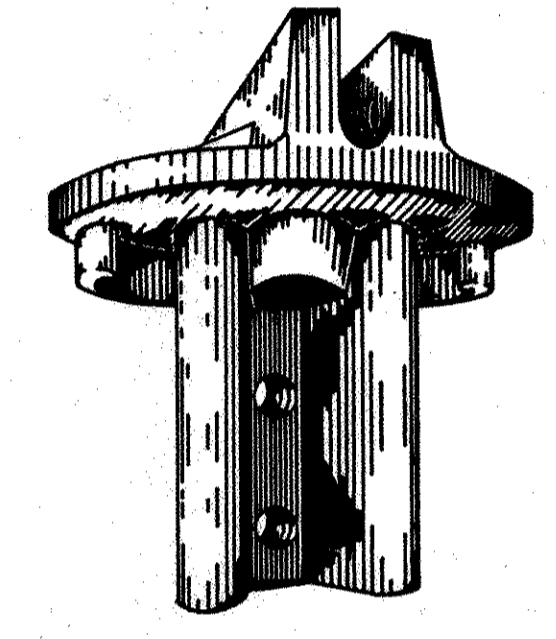


SIGN PANEL 3  
BLADE

NOTES:  
Aluminum alloy number 6063-T6.  
All surfaces exposed

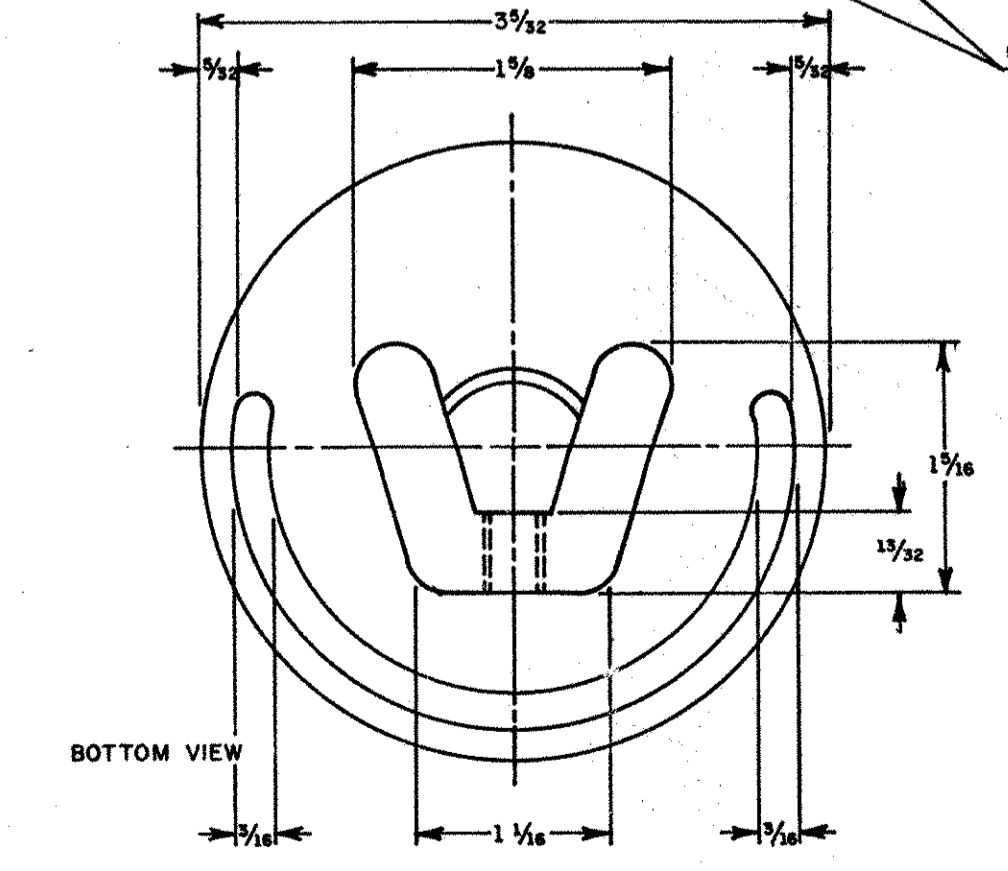


TOP VIEW



FRONT VIEW

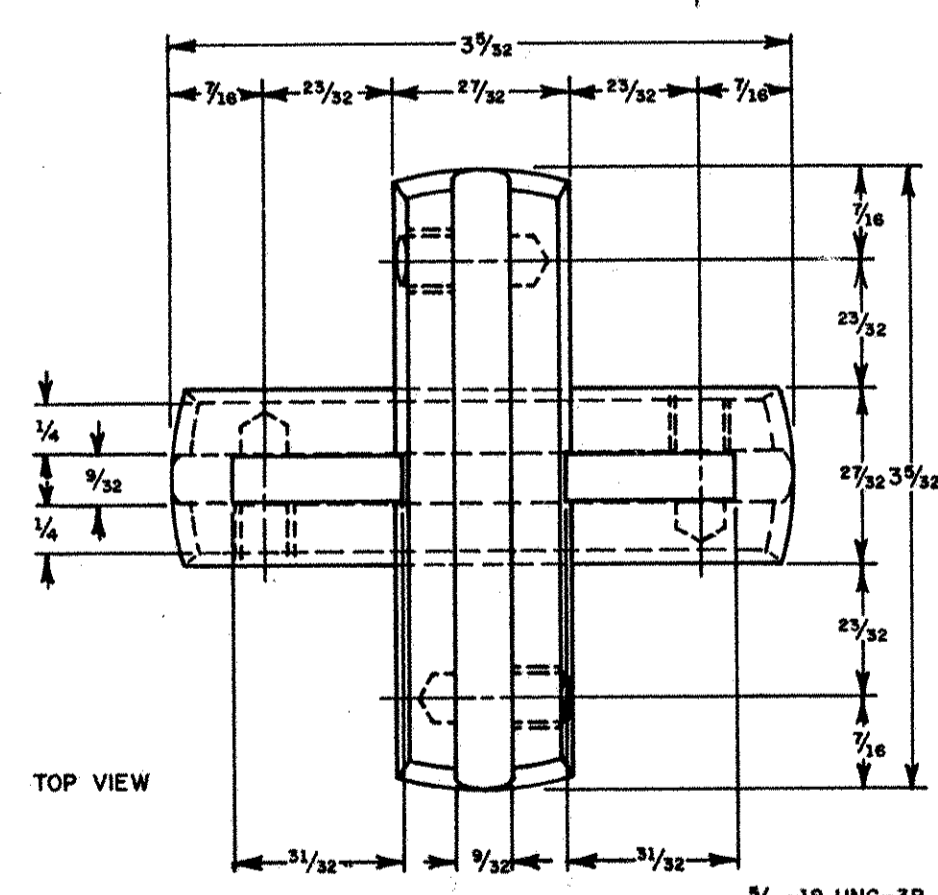
SIDE VIEW



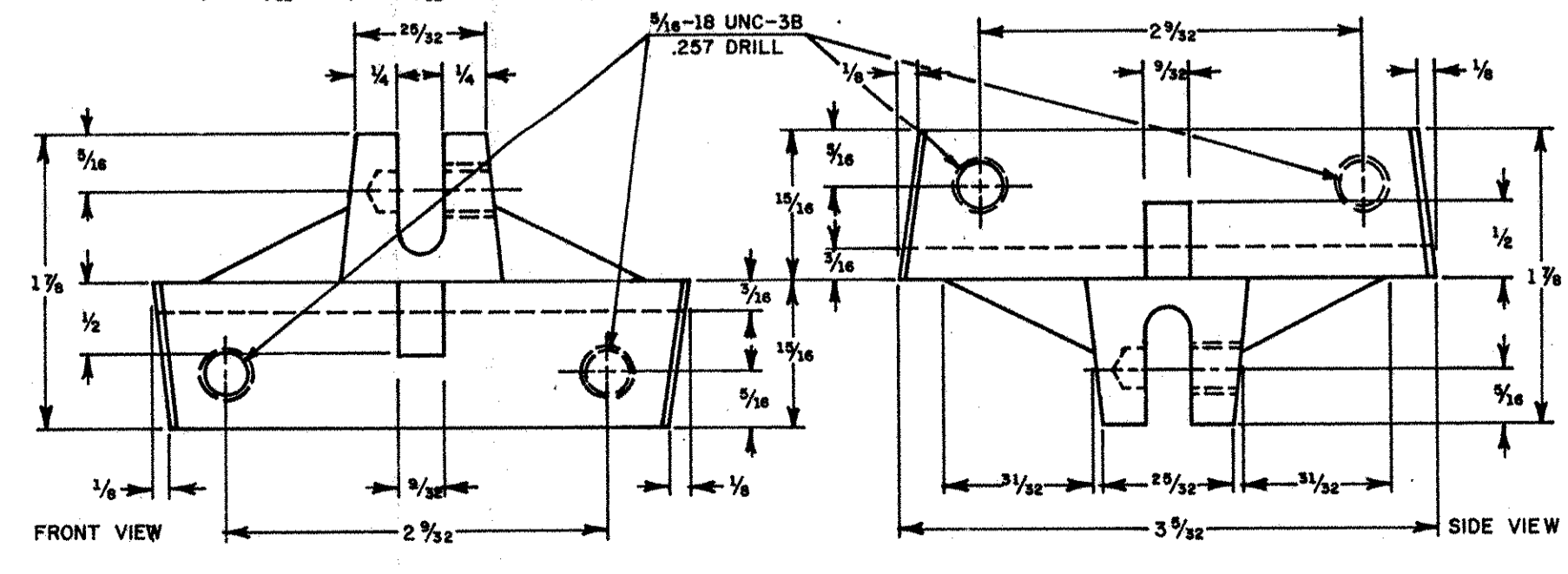
BOTTOM VIEW

NOTES:  
Surface finish to be as cast.  
Aluminum alloy number 385, tensile rating to 47,000 P.S.I.  
Supply 2 5/16-18 UNC-3A x 5/16 hex socket cup point set screws.  
Supply 2 5/16-18 UNC-2A x 3/4 hex head cap screws

SIGN TO "U-CHANNEL" POST 4  
CONNECTOR



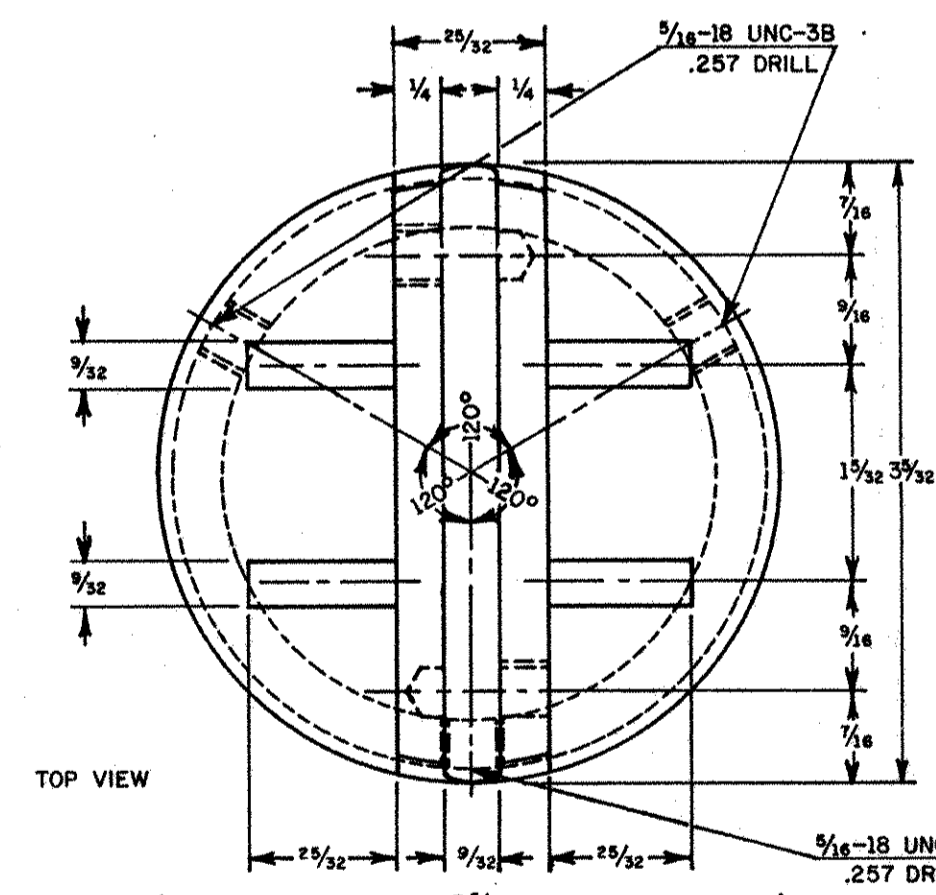
TOP VIEW



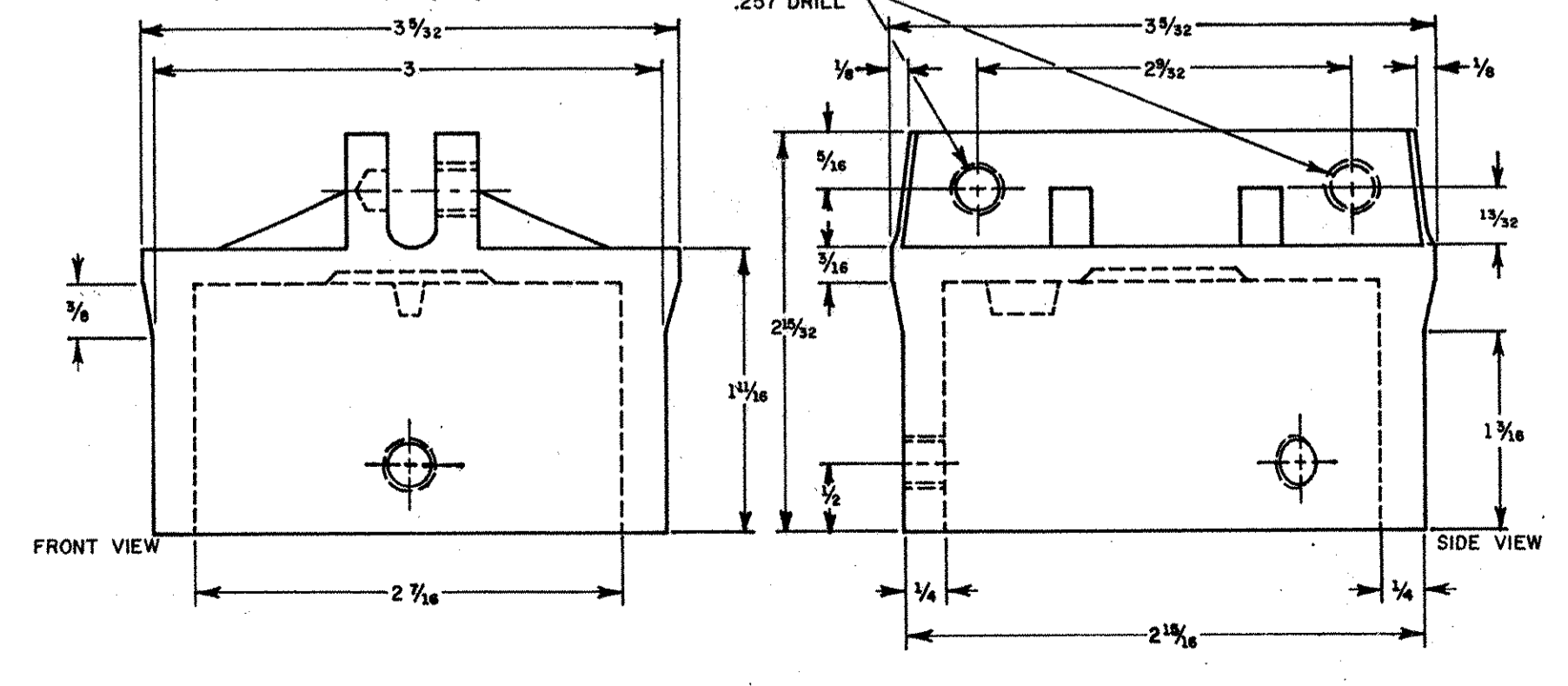
FRONT VIEW

SIDE VIEW

SIGN TO SIGN 2  
CONNECTOR



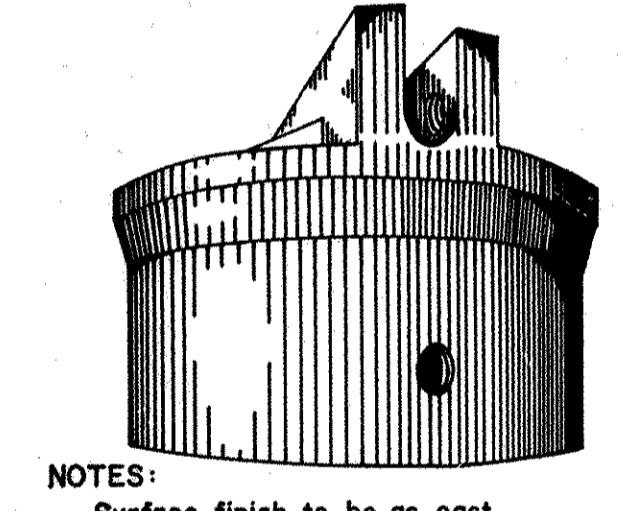
TOP VIEW



FRONT VIEW

SIDE VIEW

SIGN TO POST 3  
CONNECTOR



NOTES:  
Surface finish to be as cast.  
Aluminum alloy number 385, tensile rating to 47,000 P.S.I.  
Supply 5 5/16-18 UNC-3A x 5/16 hex socket cup point set screws.