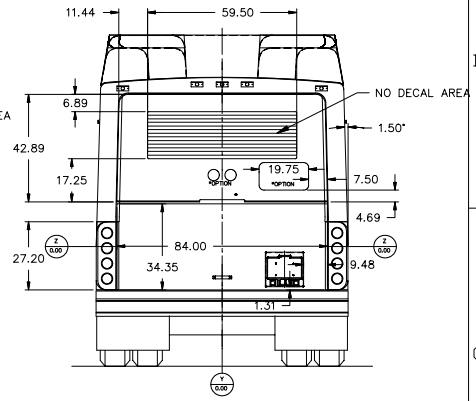
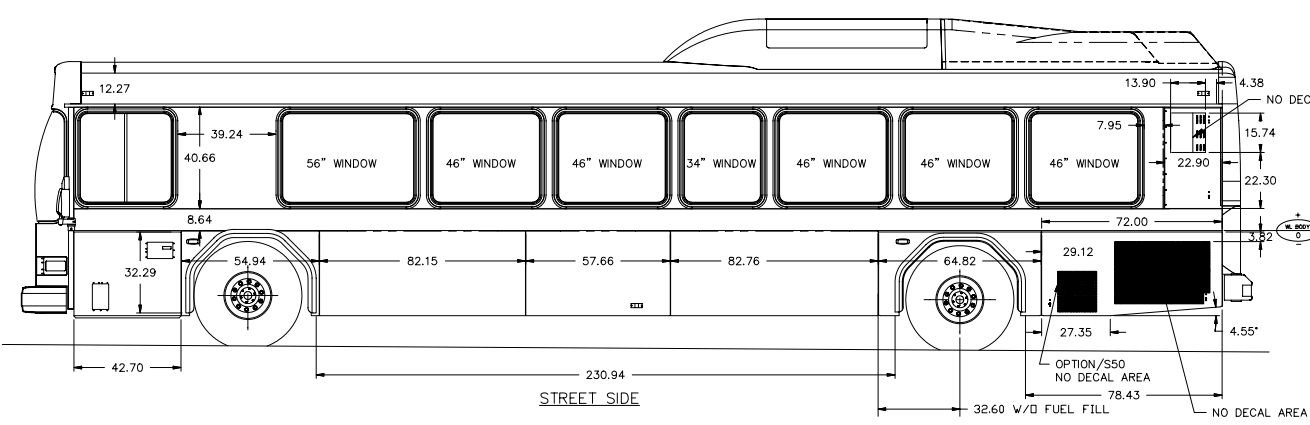
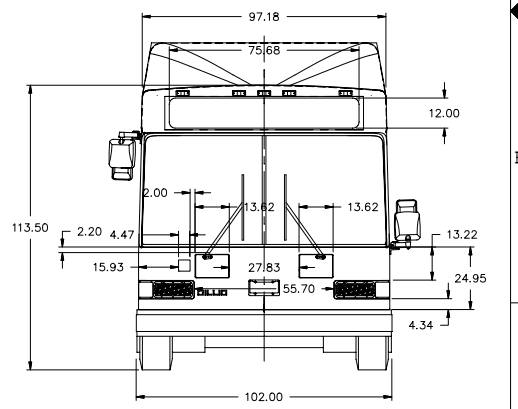
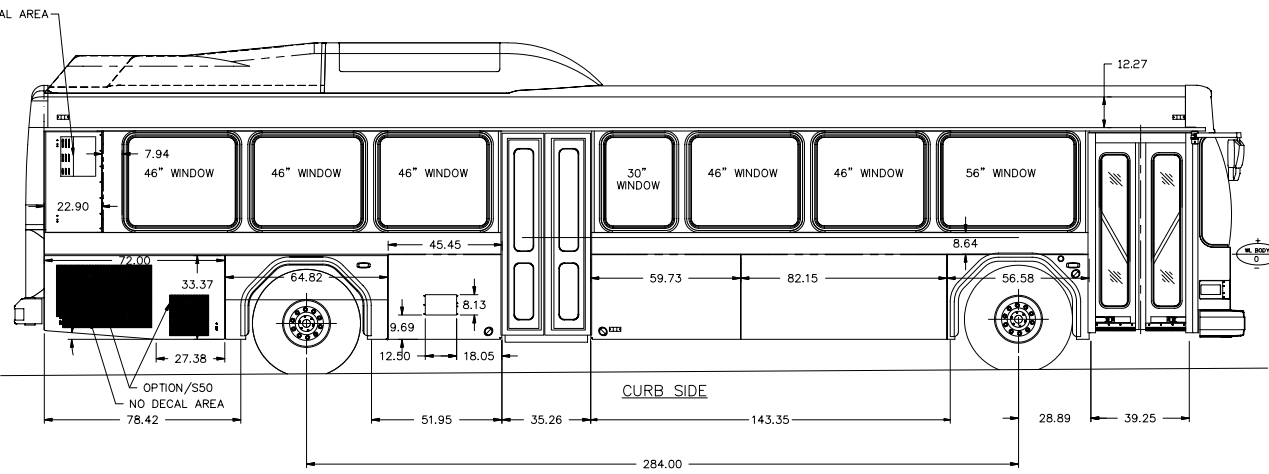


NOTES:
1. FOR DRAWING W/O DIMENSIONS, TURN OFF LAYER DIM.

REVISIONS					
SYM	DWN	ZONE	DESCRIPTION	REL.	DATE
A			RELEASED FOR PRODUCTION	REI 50642	06-01-04



*REAR DOOR PANELS & LIGHT CONFIGURATIONS VARY. PLEASE VERIFY YOUR CONFIGURATION WITH GILLIG SALES.



ITEM NO.	DESCRIPTION	MARK	PART	W/PIN	PER	GIL-STD	QTY
1	GILIG GILLIG CORP. HAYWARD, CA						
<small> PROPRIETARY: THIS DRAWING AND THE INFORMATION CONTAINED THEREIN SUBMITTED CONFIDENTIALLY AND IS THE PROPERTY OF THE GILIG CORPORATION. USE, REPRODUCTION OR DISSEMINATION OF THIS DRAWING OR ANY PORTION THEREOF FOR ANY PURPOSE MUST BE APPROVED IN WRITING BY THE GILIG CORPORATION. REMOVE ALL BURRS, BREAK SHARP EDGES. DIMENSIONS AND TOLERANCES ARE PER ANSI Y14.5M-1992 UNLESS OTHERWISE SPECIFIED TOLERANCES ARE IN INCHES. DECIMALS: X.1 25 ANGULAR: 1/2 THIRD ANGLE XXXX 200 1ST ED: 74403 </small>							
<small> TITLE: LAYOUT - PAINT SCHEME 40 X 102 SSLF HYBRID DATE: 06-01-04 WATERL SPEC: DRAWN: PKP CHECKED: JET APPR'S INIT: DATE: PVS BRIG REL # REI 50642 SIZE: STD NO 302 CAB SCALE: 1/48 = 1.0 DOCUMENT NO: </small>		<small> 10-54572-000 SHEET 1 OF 1 </small>					