

SIGNING LEGEND	
①	REMOVE EXISTING SIGN
②	EXISTING SIGN TO REMAIN
③	PLACE NEW SIGN
④	RENEW EXISTING SIGN
⑤	REPOSITION EXISTING SIGN



SIGNING, STRIPING AND CONDUIT PLAN GENERAL NOTES:

1. THE CONTRACTOR SHALL INSTALL AND REMOVE ALL REGULATORY, WARNING AND SPECIAL SIGNS AND SIGN POSTS WITHIN THE CONTRACT LIMITS, AS SHOWN. DELDOT SHALL FURNISH AND SUPPLY THE STANDARD REGULATORY AND WARNING SIGNS, STANDARD SIGN POSTS AND SIGN BANDINGS TO THE CONTRACTOR FOR INSTALLATION. FOR COORDINATION AND PICK-UP OF SIGNS AND POSTS THE CONTRACTOR SHALL CONTACT DELDOT'S SIGN SHOP AT (302) 760-2581. ALLOW SIX WEEKS FOR SIGN FABRICATION.
2. INSTALLATION OF GROUND MOUNT SIGNS ON DELDOT SUPPLIED STANDARD SIGN POSTS SHALL BE PAID FOR UNDER ITEM NOS. 749687 - INSTALLATION OR REMOVAL OF TRAFFIC SIGN(S) ON SINGLE SIGN POST AND 749690 - INSTALLATION OR REMOVAL OF TRAFFIC SIGN(S) ON MULTIPLE SIGN POSTS. INSTALLATION OF GROUND MOUNT SIGNS ON STEEL BEAM SIGN SUPPORTS SHALL BE PAID FOR UNDER ITEM NO. 749556 - INSTALLATION OF SIGN ON GROUND MOUNT POSTS.
3. THE CONTRACTOR SHALL FURNISH AND INSTALL ALL NON-STANDARD SIGNS SHOWN ON THE GUIDE SIGN DIMENSIONS AND DETAILS SHEETS AND ALL STEEL BEAM SIGN SUPPORTS AS SHOWN ON THE SIGNING CONSTRUCTION DETAILS.
4. UNLESS OTHERWISE NOTED, THE CONTRACTOR SHALL FURNISH AND INSTALL ALL CONDUIT, JUNCTION WELLS AND POLE BASES FOR ITMS DEVICES. DELDOT FORCES TO FURNISH AND INSTALL ALL ELECTRICAL AND COMMUNICATION CABLES FOR ITMS DEVICES.

DRAFT

US 13 SOUTHBOUND

57+00 58+00 59+00 60+00 61+00 62+00 63+00 64+00 65+00

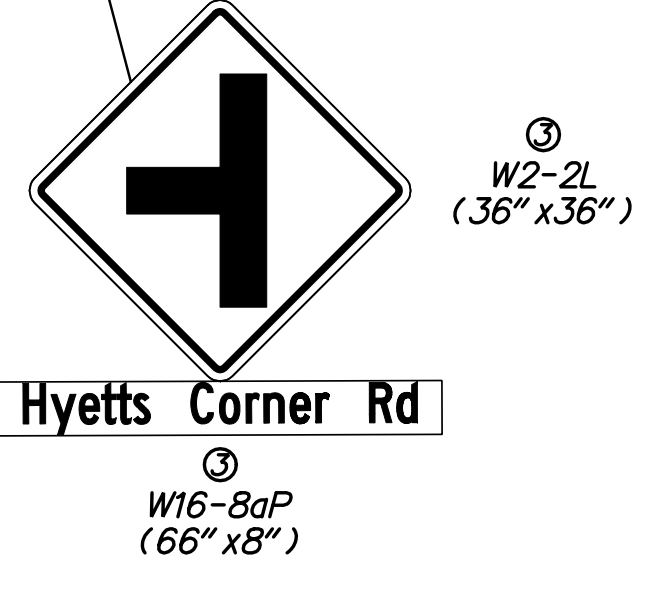
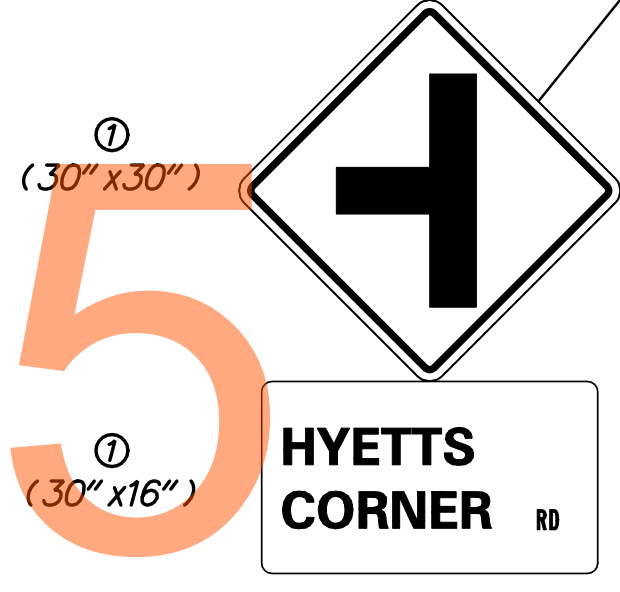
US 13 NORTHBOUND

NOT FOR BIDDING

AUGUST 2015



⑤
GM-1
(14' x 14.5')

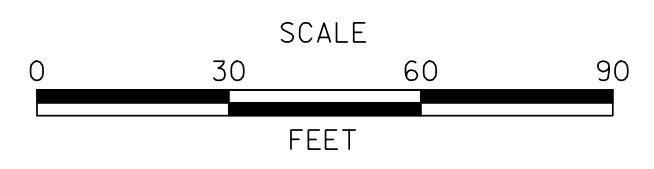


MATCH LINE STA. 65+50 - SEE DWG. SS-02

p:\1953-000\signing\delaware\ss00\U301.dwg 11/23/15 AM



ADDENDUMS / REVISIONS	



US 13 & PORT PENN RD INTERSECTION

CONTRACT	BRIDGE NO.
T201011302	
COUNTY	DESIGNED BY: J.D.C.
NEW CASTLE	CHECKED BY: J.M.M.

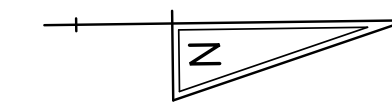
SIGNING, STRIPING & CONDUIT PLAN

SS-01
SHEET NO.
160
TOTAL SHTS.
179

PAVEMENT MARKINGS LEGEND		
SYMBOL	ITEM	QUANTITY
(A)	10" SOLID WHITE EPOXY RESIN PAINT (ITEM 748549)	0 LF
(B)	5" SOLID WHITE EPOXY RESIN PAINT (ITEM 748548)	300 LF
(C)	5" SOLID YELLOW EPOXY RESIN PAINT (ITEM 748548)	300 LF
(D)	5" DOTTED WHITE EPOXY RESIN PAINT, 3' LINE, 9' GAP (ITEM 748548)	0 LF
(E)	5" BROKEN WHITE RETROREFLECTIVE PREFORMED PATTERNED MARKINGS, 10' LINE, 30' GAP (ITEM 748564)	80 LF
(F)	8" SOLID WHITE CONTRAST EPOXY RESIN PAINT, 3" BLACK, 5" WHITE	ITEM 748557 0 LF ITEM 748548 0 LF
(G)	WHITE ALKYD THERMOPLASTIC PAVEMENT SYMBOL/LEGEND (ITEM 748015)	0 SF
(H)	5" SOLID DOUBLE YELLOW EPOXY RESIN PAINT (ITEM 748548)	0 LF
(J)	5" DOTTED WHITE EPOXY RESIN PAINT, 2' LINE, 6' GAP (ITEM 748548)	0 LF
(K)	5" BROKEN YELLOW EPOXY RESIN PAINT, 10' LINE, 30' GAP (ITEM 748548)	0 LF
(L)	PREFORMED RETROREFLECTIVE THERMOPLASTIC PAVEMENT MARKINGS, BIKE SYMBOL (ITEM 748553)	0 EA
(M)	12" SOLID WHITE ALKYD-THERMOPLASTIC (ITEM 748027)	0 LF
(N)	5" DOTTED WHITE RETROREFLECTIVE PREFORMED PATTERNED MARKINGS, 3' LINE, 9' GAP (ITEM 748564)	0 LF

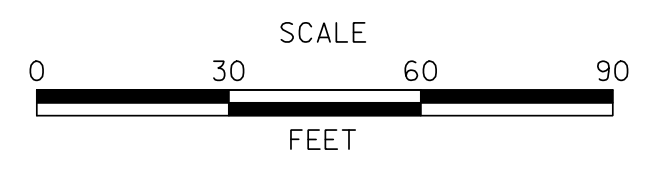
SIGNING LEGEND	
①	REMOVE EXISTING SIGN
②	EXISTING SIGN TO REMAIN
③	PLACE NEW SIGN
④	RENEW EXISTING SIGN
⑤	REPOSITION EXISTING SIGN

NOTES:
1. INSTALL PLOWABLE RAISED PAVEMENT MARKERS ALONG THE LIMITS OF THE PROPOSED PAVEMENT STRIPING AS PER CHAPTER 3B OF THE DELDOT MUTCD, AS APPLICABLE.



p:\1653-000\ss04\ss04.dgn
 11/23/2012 11:25:41 AM

ADDENDUMS / REVISIONS	



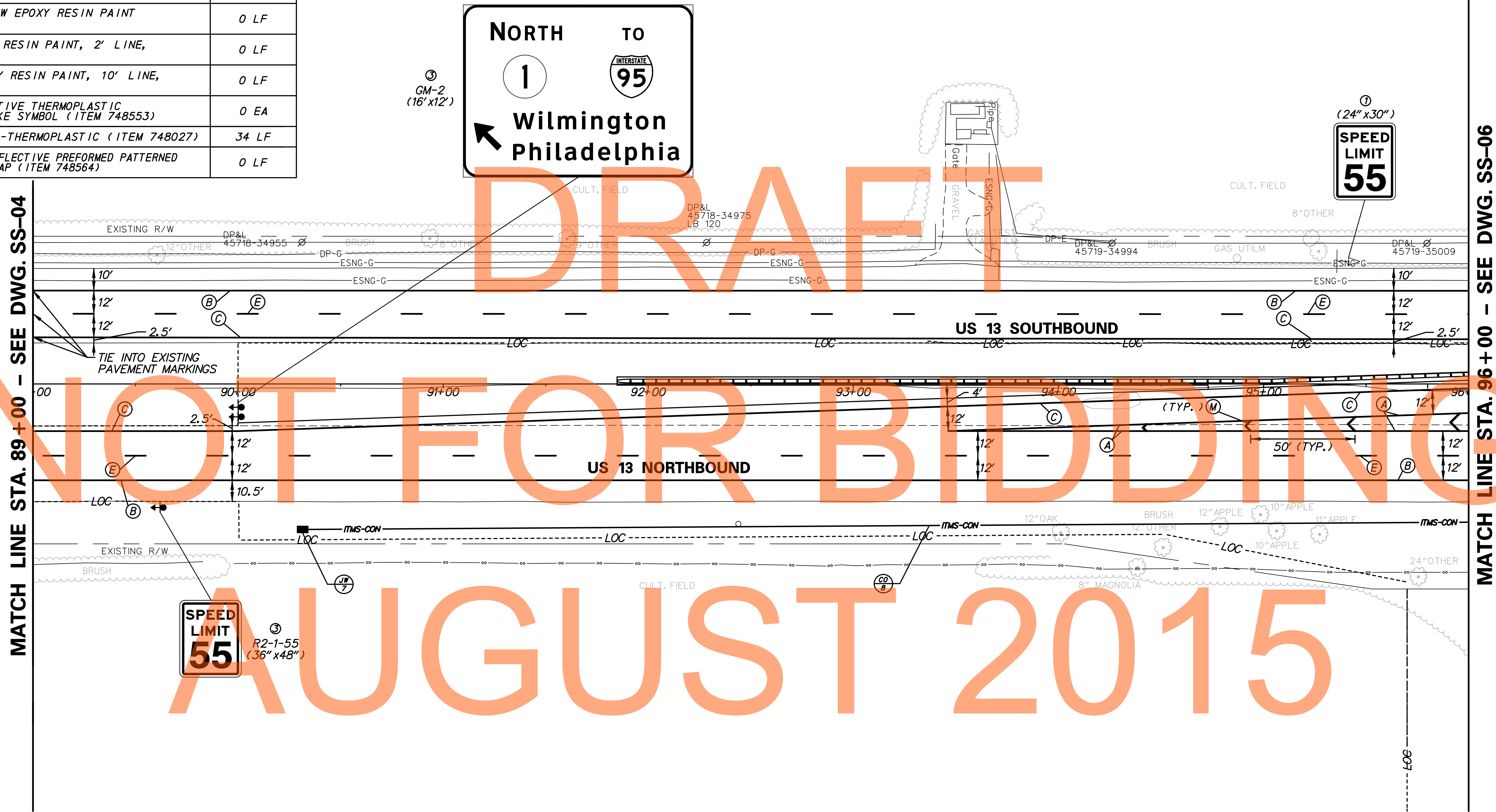
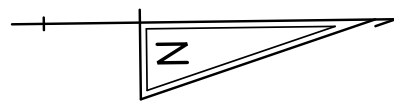
CONTRACT	T201011302	BRIDGE NO.	
COUNTY	NEW CASTLE	DESIGNED BY:	J.D.C.
		CHECKED BY:	J.M.M.

SS-04
SHEET NO.
163
TOTAL SHTS.
179

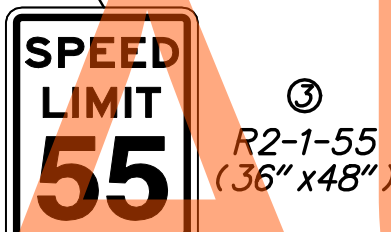
PAVEMENT MARKINGS LEGEND		
SYMBOL	ITEM	QUANTITY
(A)	10" SOLID WHITE EPOXY RESIN PAINT (ITEM 748549)	500 LF
(B)	5" SOLID WHITE EPOXY RESIN PAINT (ITEM 748548)	1400 LF
(C)	5" SOLID YELLOW EPOXY RESIN PAINT (ITEM 748548)	1400 LF
(D)	5" DOTTED WHITE EPOXY RESIN PAINT, 3' LINE, 9' GAP (ITEM 748548)	0 LF
(E)	5" BROKEN WHITE RETROREFLECTIVE PREFORMED PATTERNED MARKINGS, 10' LINE, 30' GAP (ITEM 748564)	350 LF
(F)	8" SOLID WHITE CONTRAST EPOXY RESIN PAINT, 3" BLACK, 5" WHITE	ITEM 748557 0 LF
(G)	WHITE ALKYD THERMOPLASTIC PAVEMENT SYMBOL/LEGEND (ITEM 748015)	0 SF
(H)	5" SOLID DOUBLE YELLOW EPOXY RESIN PAINT (ITEM 748548)	0 LF
(J)	5" DOTTED WHITE EPOXY RESIN PAINT, 2' LINE, 6' GAP (ITEM 748548)	0 LF
(K)	5" BROKEN YELLOW EPOXY RESIN PAINT, 10' LINE, 30' GAP (ITEM 748548)	0 LF
(L)	PREFORMED RETROREFLECTIVE THERMOPLASTIC PAVEMENT MARKINGS, BIKE SYMBOL (ITEM 748553)	0 EA
(M)	12" SOLID WHITE ALKYD-THERMOPLASTIC (ITEM 748027)	34 LF
(N)	5" DOTTED WHITE RETROREFLECTIVE PREFORMED PATTERNED MARKINGS, 3' LINE, 9' GAP (ITEM 748564)	0 LF

SIGNING LEGEND	
①	REMOVE EXISTING SIGN
②	EXISTING SIGN TO REMAIN
③	PLACE NEW SIGN
④	RENEW EXISTING SIGN
⑤	REPOSITION EXISTING SIGN

NOTES:
 1. INSTALL PLOWABLE RAISED PAVEMENT MARKERS ALONG THE LIMITS OF THE PROPOSED PAVEMENT STRIPING AS PER CHAPTER 3B OF THE DELDOT MUTCD, AS APPLICABLE.
 2. INSTALL POST MOUNTED AND/OR GUARDRAIL MOUNTED DELINEATORS ALONG THE LIMITS OF THE PROPOSED GUARDRAIL AND ROADWAY AS PER CHAPTER 3F OF THE DELDOT MUTCD.



NOT FOR BIDDING



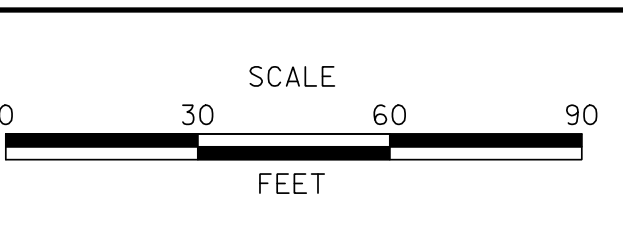
ITMS CONDUIT RUN SCHEDULE					
CO*	# OF CONDUITS	SIZE	LENGTH	B/T/O	AMOUNT AND TYPE OF CABLE/WIRE (SUPPLY AND INSTALLATION BY DELDOT FORCES)
B	1	4.0 IN	600 FT**	T	EMPTY

*DENOTES EXISTING CONDUIT
 **QUANTITY CONTINUES ON ADJACENT SHEET
 B = BORE, T = TRENCH, O = OPEN CUT

P:\1953-2000\con\project\14\ceadh\SS05U30_1D.dgn
 7/23/2015 10:21:46 AM



ADDENDUMS / REVISIONS	



US 13 & PORT PENN RD INTERSECTION

CONTRACT	BRIDGE NO.
T201011302	
COUNTY	DESIGNED BY: J.D.C.
NEW CASTLE	CHECKED BY: J.M.M.

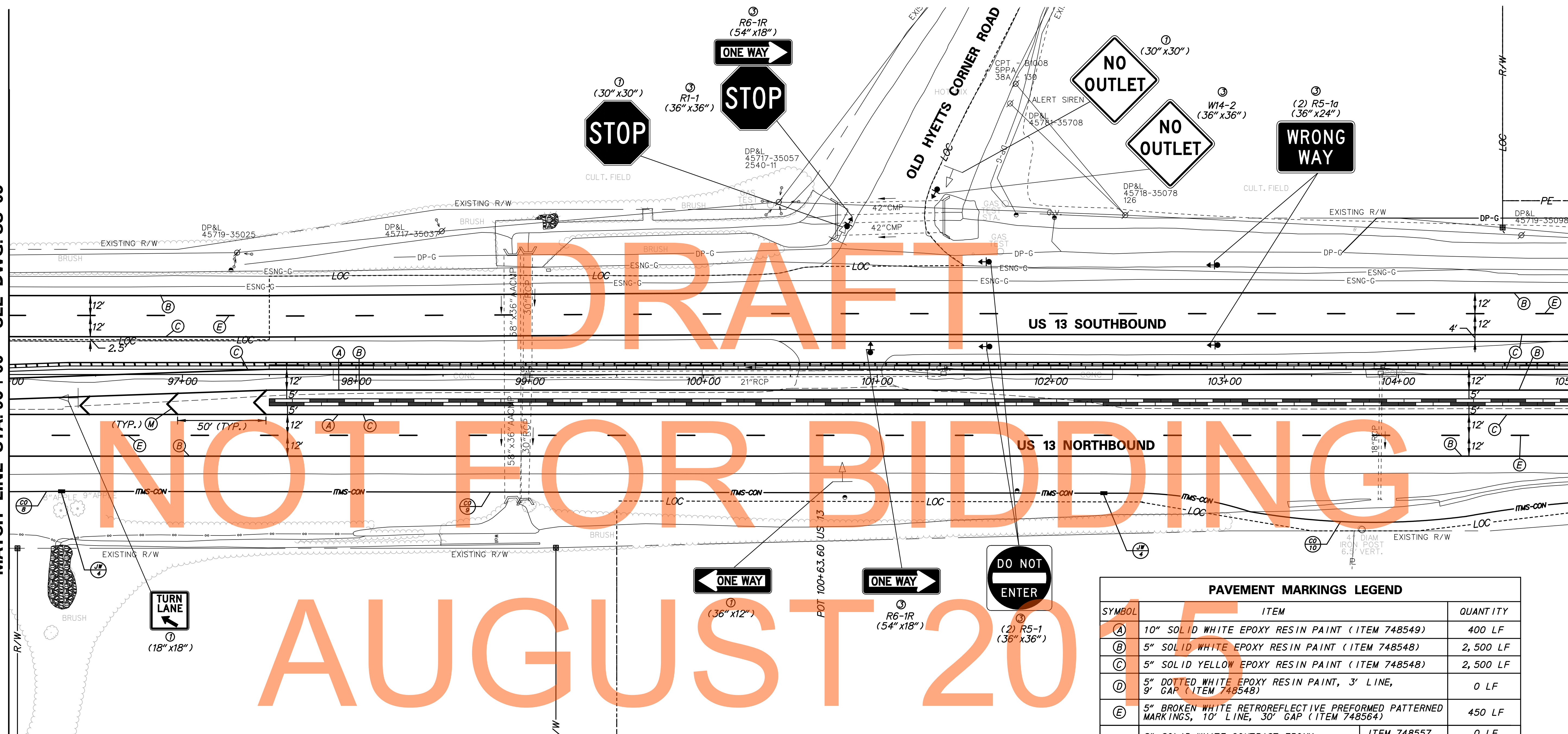
SIGNING, STRIPING & CONDUIT PLAN

SS-05
SHEET NO.
164
TOTAL SHTS.
179

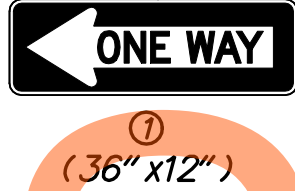
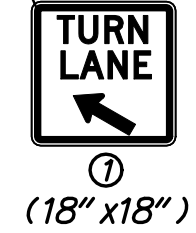


MATCH LINE STA. 96+00 - SEE DWG. SS-05

MATCH LINE STA. 105+00 - SEE DWG. SS-07



DRAFT
NOT FOR BIDDING
AUGUST 2015



ITMS CONDUIT RUN SCHEDULE					
CO#	# OF CONDUITS	SIZE	LENGTH	B/T/O	AMOUNT AND TYPE OF CABLE/WIRE (SUPPLY AND INSTALLATION BY DELDOT FORCES)
8	1	4.0 IN	600 FT**	T	EMPTY
9	1	4.0 IN	600 FT	T	EMPTY
10	1	4.0 IN	600 FT**	T	EMPTY

*DENOTES EXISTING CONDUIT
 **QUANTITY CONTINUES ON ADJACENT SHEET
 B = BORE, T = TRENCH, O = OPEN CUT

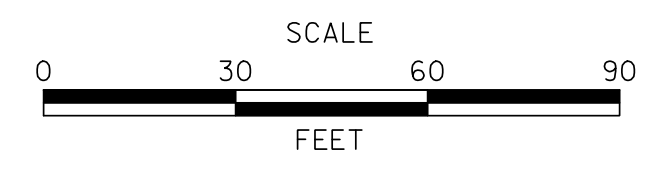
- NOTES:**
- INSTALL PLOWABLE RAISED PAVEMENT MARKERS ALONG THE LIMITS OF THE PROPOSED PAVEMENT STRIPING AS PER CHAPTER 3B OF THE DELDOT MUTCD, AS APPLICABLE.
 - INSTALL POST MOUNTED AND/OR GUARDRAIL MOUNTED DELINEATORS ALONG THE LIMITS OF THE PROPOSED GUARDRAIL AND ROADWAY AS PER CHAPTER 3F OF THE DELDOT MUTCD.

SIGNING LEGEND	
①	REMOVE EXISTING SIGN
②	EXISTING SIGN TO REMAIN
③	PLACE NEW SIGN
④	RENEW EXISTING SIGN
⑤	REPOSITION EXISTING SIGN

PAVEMENT MARKINGS LEGEND		
SYMBOL	ITEM	QUANTITY
(A)	10" SOLID WHITE EPOXY RESIN PAINT (ITEM 748549)	400 LF
(B)	5" SOLID WHITE EPOXY RESIN PAINT (ITEM 748548)	2,500 LF
(C)	5" SOLID YELLOW EPOXY RESIN PAINT (ITEM 748548)	2,500 LF
(D)	5" DOTTED WHITE EPOXY RESIN PAINT, 3' LINE, 9' GAP (ITEM 748548)	0 LF
(E)	5" BROKEN WHITE RETROREFLECTIVE PREFORMED PATTERNED MARKINGS, 10' LINE, 30' GAP (ITEM 748564)	450 LF
(F)	8" SOLID WHITE CONTRAST EPOXY RESIN PAINT, 3" BLACK, 5" WHITE	ITEM 748557 0 LF ITEM 748548 0 LF
(G)	WHITE ALKYD THERMOPLASTIC PAVEMENT SYMBOL/LEGEND (ITEM 748015)	0 SF
(H)	5" SOLID DOUBLE YELLOW EPOXY RESIN PAINT (ITEM 748548)	0 LF
(J)	5" DOTTED WHITE EPOXY RESIN PAINT, 2' LINE, 6' GAP (ITEM 748548)	0 LF
(K)	5" BROKEN YELLOW EPOXY RESIN PAINT, 10' LINE, 30' GAP (ITEM 748548)	0 LF
(L)	PREFORMED RETROREFLECTIVE THERMOPLASTIC PAVEMENT MARKINGS, BIKE SYMBOL (ITEM 748553)	0 EA
(M)	12" SOLID WHITE ALKYD-THERMOPLASTIC (ITEM 748027)	54 LF
(N)	5" DOTTED WHITE RETROREFLECTIVE PREFORMED PATTERNED MARKINGS, 3' LINE, 9' GAP (ITEM 748564)	0 LF



ADDENDUMS / REVISIONS



US 13 & PORT PENN RD INTERSECTION

CONTRACT	BRIDGE NO.
T201011302	
COUNTY	DESIGNED BY: J.D.C.
NEW CASTLE	CHECKED BY: J.M.M.

SIGNING, STRIPING & CONDUIT PLAN

SS-06
SHEET NO.
165
TOTAL SHTS.
179

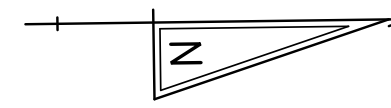
P:\2015\2015-000\Contract\14\cadd\SS06\U301_ID.dgn 7/23/2015 10:12:54 AM

PAVEMENT MARKINGS LEGEND		
SYMBOL	ITEM	QUANTITY
(A)	10" SOLID WHITE EPOXY RESIN PAINT (ITEM 748549)	0 LF
(B)	5" SOLID WHITE EPOXY RESIN PAINT (ITEM 748548)	2,400 LF
(C)	5" SOLID YELLOW EPOXY RESIN PAINT (ITEM 748548)	2,400 LF
(D)	5" DOTTED WHITE EPOXY RESIN PAINT, 3' LINE, 9' GAP (ITEM 748548)	0 LF
(E)	5" BROKEN WHITE RETROREFLECTIVE PREFORMED PATTERNED MARKINGS, 10' LINE, 30' GAP (ITEM 748564)	400 LF
(F)	8" SOLID WHITE CONTRAST EPOXY RESIN PAINT, 3" BLACK, 5" WHITE	ITEM 748557 0 LF ITEM 748548 0 LF
(G)	WHITE ALKYD THERMOPLASTIC PAVEMENT SYMBOL/LEGEND (ITEM 748015)	0 SF
(H)	5" SOLID DOUBLE YELLOW EPOXY RESIN PAINT (ITEM 748548)	0 LF
(J)	5" DOTTED WHITE EPOXY RESIN PAINT, 2' LINE, 6' GAP (ITEM 748548)	0 LF
(K)	5" BROKEN YELLOW EPOXY RESIN PAINT, 10' LINE, 30' GAP (ITEM 748548)	0 LF
(L)	PREFORMED RETROREFLECTIVE THERMOPLASTIC PAVEMENT MARKINGS, BIKE SYMBOL (ITEM 748553)	0 EA
(M)	12" SOLID WHITE ALKYD-THERMOPLASTIC (ITEM 748027)	0 LF
(N)	5" DOTTED WHITE RETROREFLECTIVE PREFORMED PATTERNED MARKINGS, 3' LINE, 9' GAP (ITEM 748564)	0 LF

SIGNING LEGEND	
①	REMOVE EXISTING SIGN
②	EXISTING SIGN TO REMAIN
③	PLACE NEW SIGN
④	RENEW EXISTING SIGN
⑤	REPOSITION EXISTING SIGN

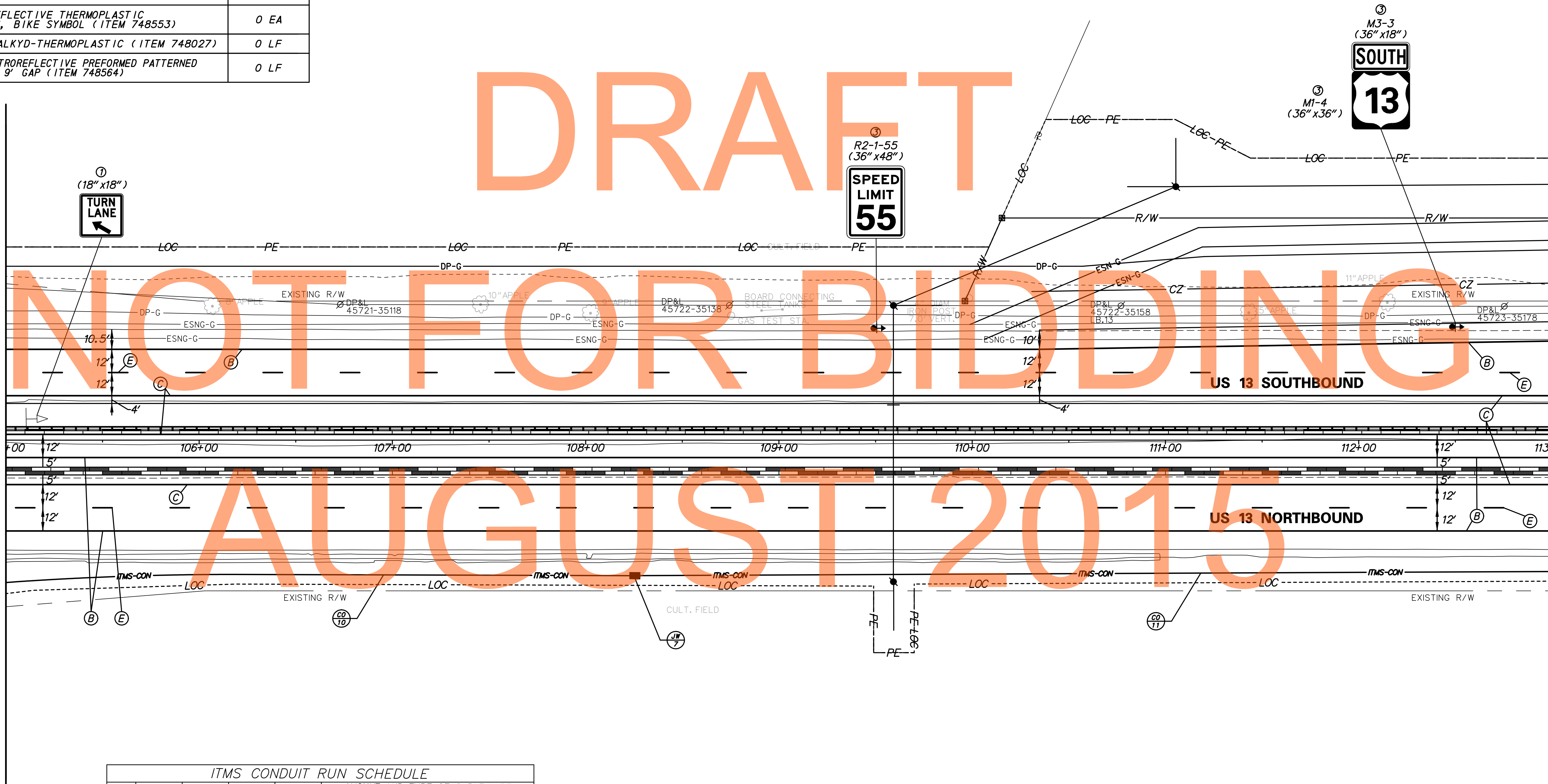
NOTES:

1. INSTALL PLOWABLE RAISED PAVEMENT MARKERS ALONG THE LIMITS OF THE PROPOSED PAVEMENT STRIPING AS PER CHAPTER 3B OF THE DELDOT MUTCD, AS APPLICABLE.
2. INSTALL POST MOUNTED AND/OR GUARDRAIL MOUNTED DELINEATORS ALONG THE LIMITS OF THE PROPOSED GUARDRAIL AND ROADWAY AS PER CHAPTER 3F OF THE DELDOT MUTCD.



MATCH LINE STA. 105+00 - SEE DWG. SS-06

MATCH LINE STA. 113+00 - SEE DWG. SS-08



ITMS CONDUIT RUN SCHEDULE					
CO*	* OF CONDUITS	SIZE	LENGTH	B/T/O	AMOUNT AND TYPE OF CABLE/WIRE (SUPPLY AND INSTALLATION BY DELDOT FORCES)
10	1	4.0 IN	600 FT**	T	EMPTY
11	1	4.0 IN	600 FT**	T	EMPTY

*DENOTES EXISTING CONDUIT
**QUANTITY CONTINUES ON ADJACENT SHEET
B = BORE, T = TRENCH, O = OPEN CUT

DRAFT

NOT FOR BIDDING

AUGUST 2015

p:\1653-000\conduit\1653-000\SS007\1301_ID.dgn 12/2/2012 12:44:05 AM



ADDENDUMS / REVISIONS



US 13 & PORT PENN RD INTERSECTION

CONTRACT	BRIDGE NO.
T201011302	
COUNTY	DESIGNED BY: J.D.C.
NEW CASTLE	CHECKED BY: J.M.M.

SIGNING, STRIPING & CONDUIT PLAN

SS-07
SHEET NO.
166
TOTAL SHTS.
179

PAVEMENT MARKINGS LEGEND		
SYMBOL	ITEM	QUANTITY
(A)	10" SOLID WHITE EPOXY RESIN PAINT (ITEM 748549)	0 LF
(B)	5" SOLID WHITE EPOXY RESIN PAINT (ITEM 748548)	2,400 LF
(C)	5" SOLID YELLOW EPOXY RESIN PAINT (ITEM 748548)	2,400 LF
(D)	5" DOTTED WHITE EPOXY RESIN PAINT, 3' LINE, 9' GAP (ITEM 748548)	72 LF
(E)	5" BROKEN WHITE RETROREFLECTIVE PREFORMED PATTERNED MARKINGS, 10' LINE, 30' GAP (ITEM 748564)	400 LF
(F)	8" SOLID WHITE CONTRAST EPOXY RESIN PAINT, 3" BLACK, 5" WHITE	ITEM 748557 0 LF ITEM 748548 0 LF
(G)	WHITE ALKYD THERMOPLASTIC PAVEMENT SYMBOL/LEGEND (ITEM 748015)	42 SF
(H)	5" SOLID DOUBLE YELLOW EPOXY RESIN PAINT (ITEM 748548)	0 LF
(J)	5" DOTTED WHITE EPOXY RESIN PAINT, 2' LINE, 6' GAP (ITEM 748548)	0 LF
(K)	5" BROKEN YELLOW EPOXY RESIN PAINT, 10' LINE, 30' GAP (ITEM 748548)	0 LF
(L)	PREFORMED RETROREFLECTIVE THERMOPLASTIC PAVEMENT MARKINGS, BIKE SYMBOL (ITEM 748553)	0 EA
(M)	12" SOLID WHITE ALKYD-THERMOPLASTIC (ITEM 748027)	0 LF
(N)	5" DOTTED WHITE RETROREFLECTIVE PREFORMED PATTERNED MARKINGS, 3' LINE, 9' GAP (ITEM 748564)	72 LF

SIGNING LEGEND	
①	REMOVE EXISTING SIGN
②	EXISTING SIGN TO REMAIN
③	PLACE NEW SIGN
④	RENEW EXISTING SIGN
⑤	REPOSITION EXISTING SIGN

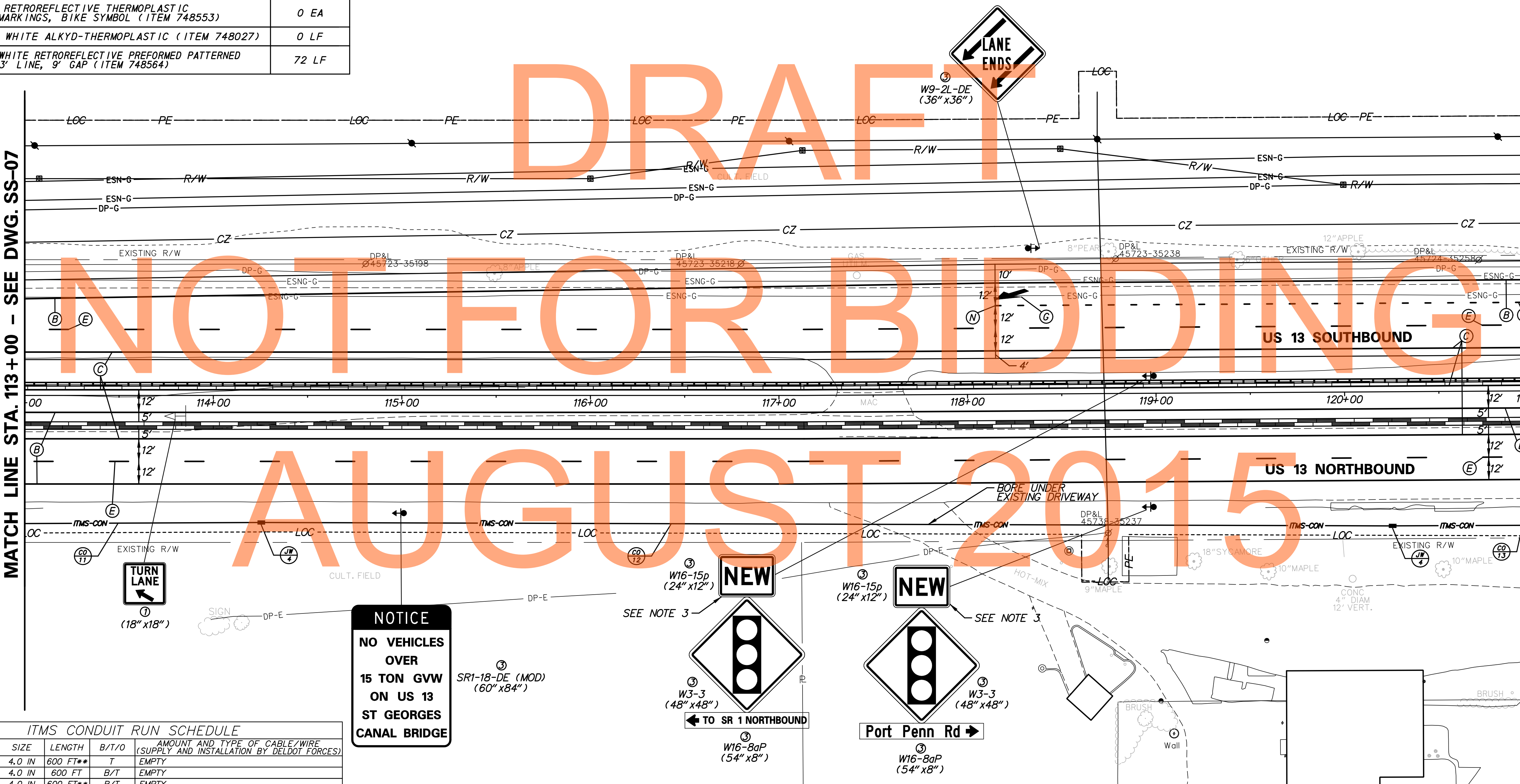
NOTES:

- INSTALL FLOWABLE RAISED PAVEMENT MARKERS ALONG THE LIMITS OF THE PROPOSED PAVEMENT STRIPING AS PER CHAPTER 3B OF THE DELDOT MUTCD, AS APPLICABLE.
- INSTALL POST MOUNTED AND/OR GUARDRAIL MOUNTED DELINEATORS ALONG THE LIMITS OF THE PROPOSED GUARDRAIL AND ROADWAY AS PER CHAPTER 3F OF THE DELDOT MUTCD.
- THE PROPOSED W16-15p SIGN SHALL BE INSTALLED ABOVE THE PROPOSED W3-3 SIGN FOR A MINIMUM OF 30 DAYS AND A MAXIMUM OF 90 DAYS. DELDOT FORCES SHALL BE RESPONSIBLE FOR REMOVAL OF THE W16-15p SIGN.



MATCH LINE STA. 113+00 - SEE DWG. SS-07

MATCH LINE STA. 121+00 - SEE DWG. SS-09



ITMS CONDUIT RUN SCHEDULE					
CO*	* OF CONDUITS	SIZE	LENGTH	B/T/O	AMOUNT AND TYPE OF CABLE/WIRE (SUPPLY AND INSTALLATION BY DELDOT FORCES)
11	1	4.0 IN	600 FT**	T	EMPTY
12	1	4.0 IN	600 FT	B/T	EMPTY
13	1	4.0 IN	600 FT**	B/T	EMPTY

*DENOTES EXISTING CONDUIT B = BORE, T = TRENCH, O = OPEN CUT
**QUANTITY CONTINUES ON ADJACENT SHEET

ADDENDUMS / REVISIONS



US 13 & PORT PENN RD INTERSECTION

CONTRACT	T201011302	BRIDGE NO.	
COUNTY	NEW CASTLE	DESIGNED BY:	J.D.C.
		CHECKED BY:	J.M.M.

SIGNING, STRIPING & CONDUIT PLAN

SS-08	SHEET NO.	167
	TOTAL SHTS.	179

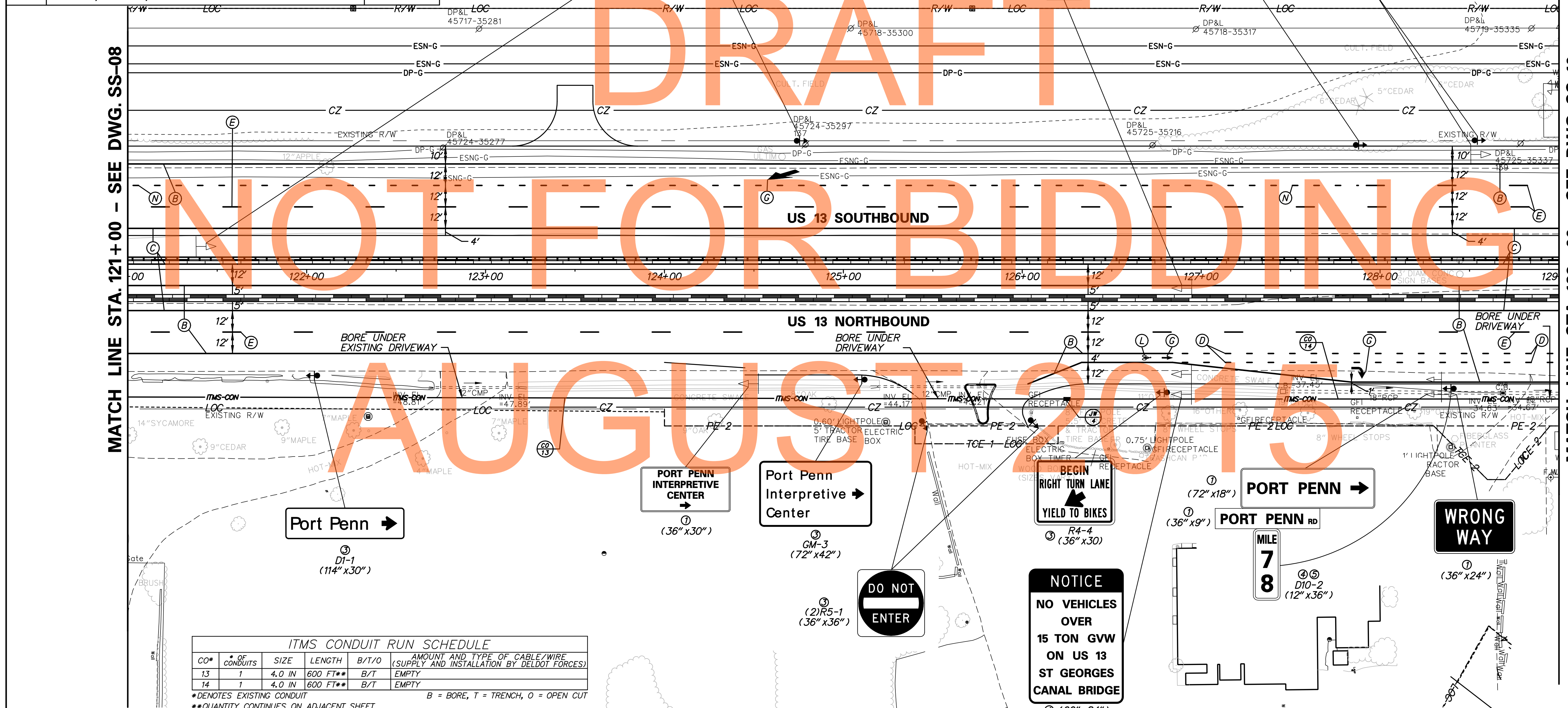
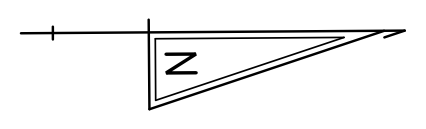
p:\1653-000\ss08\ss08.dwg 1/14/12 10:41:12 AM



PAVEMENT MARKINGS LEGEND		
SYMBOL	ITEM	QUANTITY
(A)	10" SOLID WHITE EPOXY RESIN PAINT (ITEM 748549)	0 LF
(B)	5" SOLID WHITE EPOXY RESIN PAINT (ITEM 748548)	2,484 LF
(C)	5" SOLID YELLOW EPOXY RESIN PAINT (ITEM 748548)	2,400 LF
(D)	5" DOTTED WHITE EPOXY RESIN PAINT, 3' LINE, 9' GAP (ITEM 748548)	109 LF
(E)	5" BROKEN WHITE RETROREFLECTIVE PREFORMED PATTERNED MARKINGS, 10' LINE, 30' GAP (ITEM 748564)	430 LF
(F)	8" SOLID WHITE CONTRAST EPOXY RESIN PAINT, 3" BLACK, 5" WHITE	ITEM 748557 0 LF
(G)	WHITE ALKYD THERMOPLASTIC PAVEMENT SYMBOL/LEGEND (ITEM 748015)	63 SF
(H)	5" SOLID DOUBLE YELLOW EPOXY RESIN PAINT (ITEM 748548)	0 LF
(J)	5" DOTTED WHITE EPOXY RESIN PAINT, 2' LINE, 6' GAP (ITEM 748548)	0 LF
(K)	5" BROKEN YELLOW EPOXY RESIN PAINT, 10' LINE, 30' GAP (ITEM 748548)	0 LF
(L)	PREFORMED RETROREFLECTIVE THERMOPLASTIC PAVEMENT MARKINGS, BIKE SYMBOL (ITEM 748553)	1 EA
(M)	12" SOLID WHITE ALKYD-THERMOPLASTIC (ITEM 748027)	0 LF
(N)	5" DOTTED WHITE RETROREFLECTIVE PREFORMED PATTERNED MARKINGS, 3' LINE, 9' GAP (ITEM 748564)	171 LF

SIGNING LEGEND	
①	REMOVE EXISTING SIGN
②	EXISTING SIGN TO REMAIN
③	PLACE NEW SIGN
④	RENEW EXISTING SIGN
⑤	REPOSITION EXISTING SIGN

NOTES:
 1. INSTALL PLOWABLE RAISED PAVEMENT MARKERS ALONG THE LIMITS OF THE PROPOSED PAVEMENT STRIPING AS PER CHAPTER 3B OF THE DELDOT MUTCD, AS APPLICABLE.
 2. INSTALL POST MOUNTED AND/OR GUARDRAIL MOUNTED DELINEATORS ALONG THE LIMITS OF THE PROPOSED GUARDRAIL AND ROADWAY AS PER CHAPTER 3F OF THE DELDOT MUTCD.



ITMS CONDUIT RUN SCHEDULE					
CO#	# OF CONDUITS	SIZE	LENGTH	B/T/O	AMOUNT AND TYPE OF CABLE/WIRE (SUPPLY AND INSTALLATION BY DELDOT FORCES)
13	1	4.0 IN	600 FT**	B/T	EMPTY
14	1	4.0 IN	600 FT**	B/T	EMPTY

* DENOTES EXISTING CONDUIT
 ** QUANTITY CONTINUES ON ADJACENT SHEET
 B = BORE, T = TRENCH, O = OPEN CUT

ADDENDUMS / REVISIONS



US 13 & PORT PENN RD INTERSECTION

CONTRACT	T201011302	BRIDGE NO.	
COUNTY	NEW CASTLE	DESIGNED BY:	J.D.C.
		CHECKED BY:	J.M.M.

SIGNING, STRIPING & CONDUIT PLAN

SS-09	SHEET NO.	168
	TOTAL SHTS.	179

P:\17653-000\contract\14\cedar\SS09091301_ID.dgn
 9/17/2015 10:08:11 AM

PAVEMENT MARKINGS LEGEND		
SYMBOL	ITEM	QUANTITY
(A)	10" SOLID WHITE EPOXY RESIN PAINT (ITEM 748549)	0 LF
(B)	5" SOLID WHITE EPOXY RESIN PAINT (ITEM 748548)	3,072 LF
(C)	5" SOLID YELLOW EPOXY RESIN PAINT (ITEM 748548)	1,665 LF
(D)	5" DOTTED WHITE EPOXY RESIN PAINT, 3' LINE, 9' GAP (ITEM 748548)	24 LF
(E)	5" BROKEN WHITE RETROREFLECTIVE PREFORMED PATTERNED MARKINGS, 10' LINE, 30' GAP (ITEM 748564)	230 LF
(F)	8" SOLID WHITE CONTRAST EPOXY RESIN PAINT, 3" BLACK, 5" WHITE	ITEM 748557 475 LF
(G)	WHITE ALKYD THERMOPLASTIC PAVEMENT SYMBOL/LEGEND (ITEM 748015)	297 SF
(H)	5" SOLID DOUBLE YELLOW EPOXY RESIN PAINT (ITEM 748548)	150 LF
(J)	5" DOTTED WHITE EPOXY RESIN PAINT, 2' LINE, 6' GAP (ITEM 748548)	0 LF
(K)	5" BROKEN YELLOW EPOXY RESIN PAINT, 10' LINE, 30' GAP (ITEM 748548)	0 LF
(L)	PREFORMED RETROREFLECTIVE THERMOPLASTIC PAVEMENT MARKINGS, BIKE SYMBOL (ITEM 748553)	3 EA
(M)	12" SOLID WHITE ALKYD-THERMOPLASTIC (ITEM 748027)	0 LF
(N)	5" DOTTED WHITE RETROREFLECTIVE PREFORMED PATTERNED MARKINGS, 3' LINE, 9' GAP (ITEM 748564)	0 LF

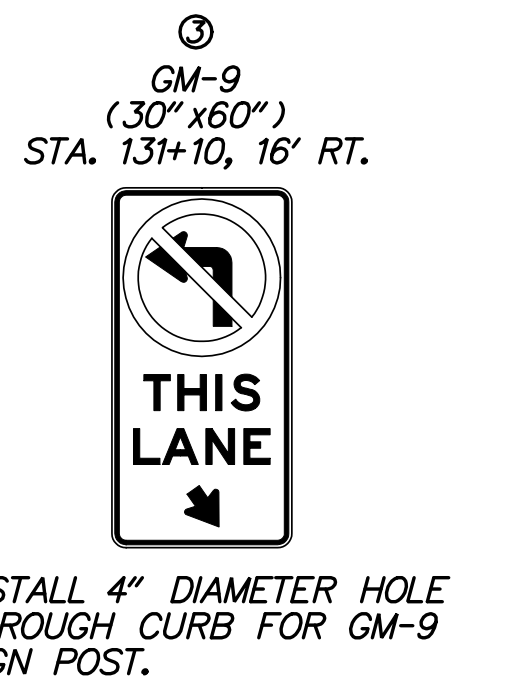
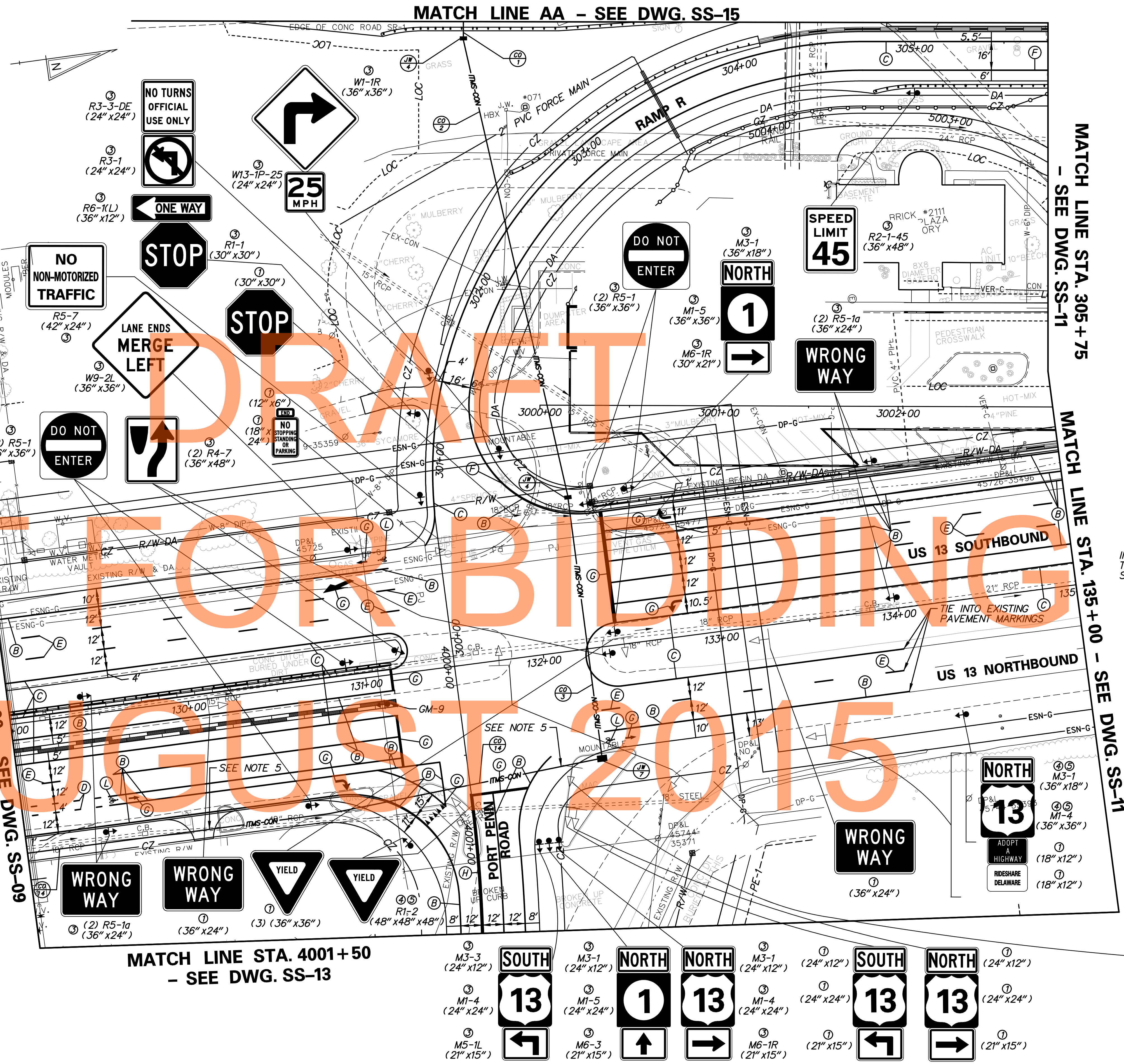
- NOTES:**
- INSTALL PLOWABLE RAISED PAVEMENT MARKERS ALONG THE LIMITS OF THE PROPOSED PAVEMENT STRIPING AS PER CHAPTER 3B OF THE DELDOT MUTCD, AS APPLICABLE.
 - INSTALL POST MOUNTED AND/OR GUARDRAIL MOUNTED DELINEATORS ALONG THE LIMITS OF THE PROPOSED GUARDRAIL AND ROADWAY AS PER CHAPTER 3F OF THE DELDOT MUTCD.
 - SEE DWG. NO. SS-16 FOR SIGNING AND PAVEMENT MARKINGS WITHIN TOLL PLAZA ADMINISTRATION BUILDING PARKING LOT.
 - ALL STOP LINES SHALL BE 16" WIDE.
 - BORE UNDER ROADWAY/DRIVEWAY.

ITMS LEGEND	
—ITMS-CON—	PROPOSED MULTIDUCT ITMS CONDUIT
—EX-ITS—	EXISTING ITMS CONDUIT
—ITMS-CON—	ITMS CONDUIT INSTALLED IN PREVIOUS PHASE
ⓐ	ITMS CABINET AND IDENTIFIER
ⓑ	ITMS CONDUIT JUNCTION WELL
ⓐ	JUNCTION WELL IDENTIFIER (TYPE) (EXISTING AND PROPOSED)
ⓐ	CONDUIT RUN IDENTIFIER (# OF RUN) (EXISTING AND PROPOSED)
ⓐ	POLE BASE IDENTIFIER (TYPE) (EXISTING AND PROPOSED)
ⓐ	PROPOSED CONCRETE BARRIER JUNCTION BOX IDENTIFIER (TYPE)
ⓐ	TO BE REMOVED BY CONTRACTOR
ⓐ	PROPOSED ELECTRICAL SERVICE ON PEDESTAL
ⓐ	POLE BASE

SIGNING LEGEND	
①	REMOVE EXISTING SIGN
②	EXISTING SIGN TO REMAIN
③	PLACE NEW SIGN
④	RENEW EXISTING SIGN
⑤	REPOSITION EXISTING SIGN

ITMS CONDUIT RUN SCHEDULE					
CO#	# OF CONDUITS	SIZE	LENGTH	B/T/O	AMOUNT AND TYPE OF CABLE/WIRE (SUPPLY AND INSTALLATION BY DELDOT FORCES)
1	1	4.0 IN	392 FT**	B	COMMUNICATION CABLE
2	1	4.0 IN	261 FT	B	COMMUNICATION CABLE
3	1	4.0 IN	145 FT	B	COMMUNICATION CABLE
14	1	4.0 IN	600 FT**	T/B	EMPTY

*DENOTES EXISTING CONDUIT B = BORE, T = TRENCH, O = OPEN CUT
 **QUANTITY CONTINUES ON ADJACENT SHEET



PAVEMENT MARKINGS LEGEND

SYMBOL	ITEM	QUANTITY
(A)	10" SOLID WHITE EPOXY RESIN PAINT (ITEM 748549)	0 LF
(B)	5" SOLID WHITE EPOXY RESIN PAINT (ITEM 748548)	353 LF
(C)	5" SOLID YELLOW EPOXY RESIN PAINT (ITEM 748548)	688 LF
(D)	5" DOTTED WHITE EPOXY RESIN PAINT, 3' LINE, 9' GAP (ITEM 748548)	24 LF
(E)	5" BROKEN WHITE RETROREFLECTIVE PREFORMED PATTERNED MARKINGS, 10' LINE, 30' GAP (ITEM 748564)	120 LF
(F)	8" SOLID WHITE CONTRAST EPOXY RESIN PAINT, 3" BLACK, 5" WHITE	ITEM 748557 375 LF ITEM 748548 375 LF
(G)	WHITE ALKYD THERMOPLASTIC PAVEMENT SYMBOL/LEGEND (ITEM 748015)	0 SF
(H)	5" SOLID DOUBLE YELLOW EPOXY RESIN PAINT (ITEM 748548)	0 LF
(J)	5" DOTTED WHITE EPOXY RESIN PAINT, 2' LINE, 6' GAP (ITEM 748548)	0 LF
(K)	5" BROKEN YELLOW EPOXY RESIN PAINT, 10' LINE, 30' GAP (ITEM 748548)	0 LF
(L)	PREFORMED RETROREFLECTIVE THERMOPLASTIC PAVEMENT MARKINGS, BIKE SYMBOL (ITEM 748553)	0 EA
(M)	12" SOLID WHITE ALKYD-THERMOPLASTIC (ITEM 748027)	0 LF
(N)	5" DOTTED WHITE RETROREFLECTIVE PREFORMED PATTERNED MARKINGS, 3' LINE, 9' GAP (ITEM 748564)	0 LF

SIGNING LEGEND

①	REMOVE EXISTING SIGN
②	EXISTING SIGN TO REMAIN
③	PLACE NEW SIGN
④	RENEW EXISTING SIGN
⑤	REPOSITION EXISTING SIGN

NOTES:

1. INSTALL PLOWABLE RAISED PAVEMENT MARKERS ALONG THE LIMITS OF THE PROPOSED PAVEMENT STRIPING AS PER CHAPTER 3B OF THE DELDOT MUTCD, AS APPLICABLE.
2. INSTALL POST MOUNTED AND/OR GUARDRAIL MOUNTED DELINEATORS ALONG THE LIMITS OF THE PROPOSED GUARDRAIL AND ROADWAY AS PER CHAPTER 3F OF THE DELDOT MUTCD.
3. THE PROPOSED W16-15p SIGN SHALL BE INSTALLED ABOVE THE PROPOSED W3-3 SIGN FOR A MINIMUM OF 30 DAYS AND A MAXIMUM OF 90 DAYS. DELDOT FORCES SHALL BE RESPONSIBLE FOR REMOVAL OF THE W16-15p SIGN.
4. THE CONTRACTOR SHALL INSTALL SIGN GM-10 PRIOR TO OPENING THE NEW TOLL PLAZA ENTRANCE DRIVEWAY IN PHASE 1A (SEE DWG. NOS. SS-17, CS-1A02 AND CS-1A03).

**LIMIT OF CONSTRUCTION
RAMP R
STATION 316+00**

**END
CONTRACT T201011302
STATION 144+67**

MATCH LINE STA 312+25 - SEE DWG. SS-11

MATCH LINE STA. 141+50 - SEE DWG. SS-11

**NORTH TO
1
Wilmington
Philadelphia
1/2 MILE
LEFT EXIT**

**JCT
NORTH
1**

US 13 SOUTHBOUND

US 13 NORTHBOUND

Port Penn

**Port Penn
Interpretive
Center**

**Biddles Corner
Admin. Building
Customer Service**

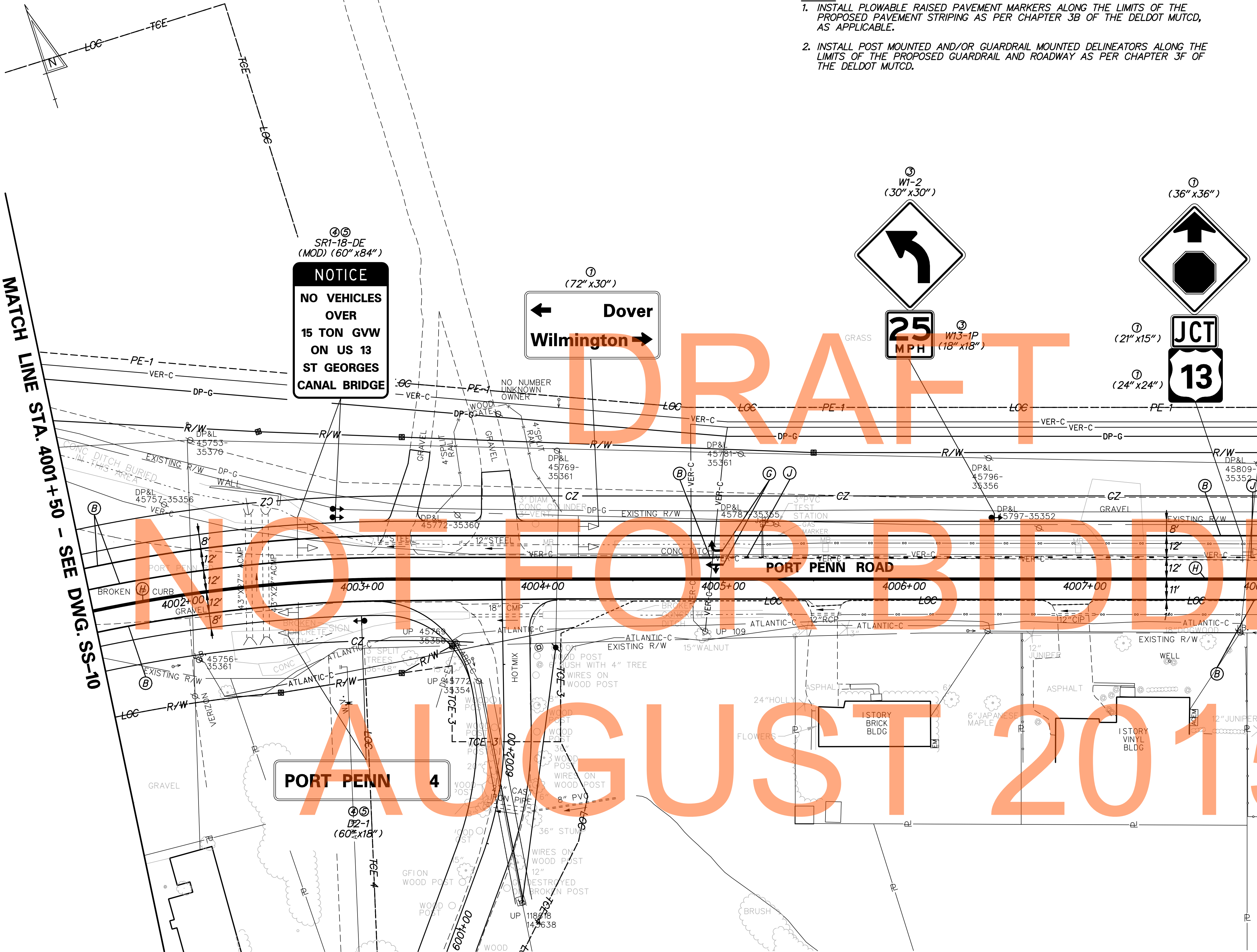
**ST. GEORGES
KEEP RIGHT**

**TURN
LANE**

NEW
W16-15p
(24" x12")
W3-3
(48" x48")
W16-8aP
(54" x8")

NOT FOR BIDDING

p:\31653-000\contract_id\ceadh\SS012030_10.dgn
 2/27/2012 10:42:22 AM



- NOTES:**
1. INSTALL PLOWABLE RAISED PAVEMENT MARKERS ALONG THE LIMITS OF THE PROPOSED PAVEMENT STRIPING AS PER CHAPTER 3B OF THE DELDOT MUTCD, AS APPLICABLE.
 2. INSTALL POST MOUNTED AND/OR GUARDRAIL MOUNTED DELINEATORS ALONG THE LIMITS OF THE PROPOSED GUARDRAIL AND ROADWAY AS PER CHAPTER 3F OF THE DELDOT MUTCD.

PAVEMENT MARKINGS LEGEND		
SYMBOL	ITEM	QUANTITY
(A)	10" SOLID WHITE EPOXY RESIN PAINT (ITEM 748549)	0 LF
(B)	5" SOLID WHITE EPOXY RESIN PAINT (ITEM 748548)	1655 LF
(C)	5" SOLID YELLOW EPOXY RESIN PAINT (ITEM 748548)	0 LF
(D)	5" DOTTED WHITE EPOXY RESIN PAINT, 3' LINE, 9' GAP (ITEM 748548)	0 LF
(E)	5" BROKEN WHITE RETROREFLECTIVE PREFORMED PATTERNED MARKINGS, 10' LINE, 30' GAP (ITEM 748564)	0 LF
(F)	8" SOLID WHITE CONTRAST EPOXY RESIN PAINT, 3" BLACK, 5" WHITE	ITEM 748557 0 LF
		ITEM 748548 0 LF
(G)	WHITE ALKYD THERMOPLASTIC PAVEMENT SYMBOL/LEGEND (ITEM 748015)	41 SF
(H)	5" SOLID DOUBLE YELLOW EPOXY RESIN PAINT (ITEM 748548)	1300 LF
(J)	5" DOTTED WHITE EPOXY RESIN PAINT, 2' LINE, 6' GAP (ITEM 748548)	74 LF
(K)	5" BROKEN YELLOW EPOXY RESIN PAINT, 10' LINE, 30' GAP (ITEM 748548)	0 LF
(L)	PREFORMED RETROREFLECTIVE THERMOPLASTIC PAVEMENT MARKINGS, BIKE SYMBOL (ITEM 748553)	0 EA
(M)	12" SOLID WHITE ALKYD-THERMOPLASTIC (ITEM 748027)	0 LF
(N)	5" DOTTED WHITE RETROREFLECTIVE PREFORMED PATTERNED MARKINGS, 3' LINE, 9' GAP (ITEM 748564)	0 LF

SIGNING LEGEND	
①	REMOVE EXISTING SIGN
②	EXISTING SIGN TO REMAIN
③	PLACE NEW SIGN
④	RENEW EXISTING SIGN
⑤	REPOSITION EXISTING SIGN

MATCH LINE STA. 4001+50 - SEE DWG. SS-10

MATCH LINE STA. 4008+00 - SEE DWG. SS-14

NOT FOR BIDDING

NOTICE
NO VEHICLES OVER 15 TON GVW ON US 13 ST GEORGES CANAL BRIDGE

Dover
Wilmington

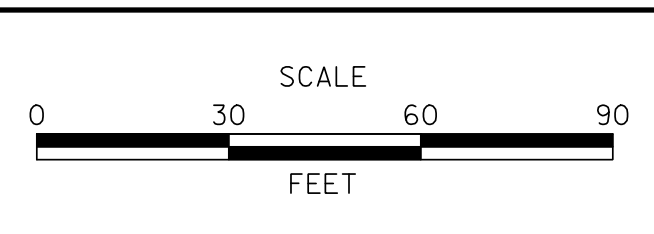
25 MPH

JCT 13

PORT PENN 4

p:\17653-000\ss01\ss01\ss01\301_1b.dgn 9/17/2015 10:08:46 AM

ADDENDUMS / REVISIONS

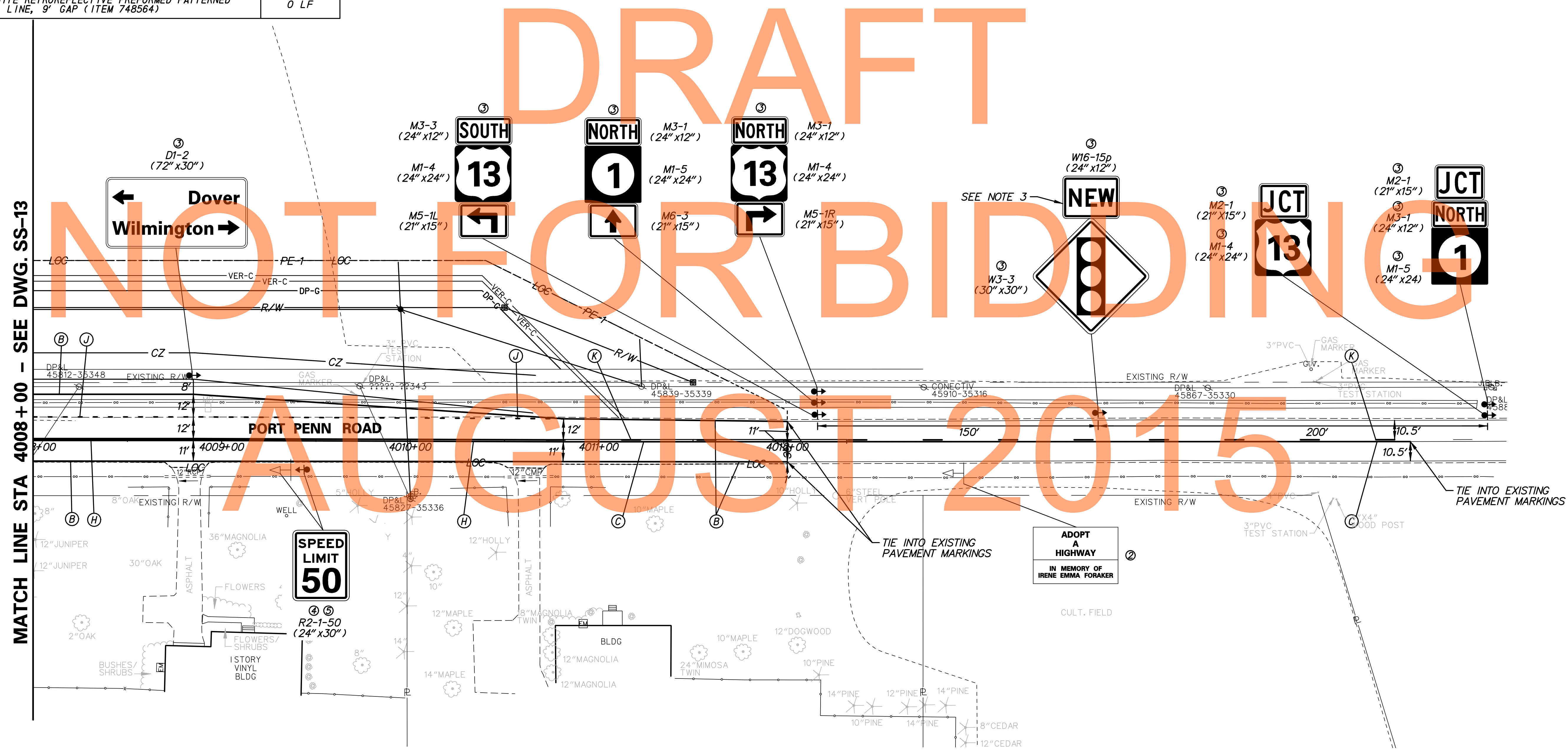
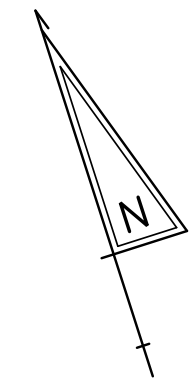


CONTRACT T201011302	BRIDGE NO.
COUNTY NEW CASTLE	DESIGNED BY: J.D.C. CHECKED BY: J.M.M.

PAVEMENT MARKINGS LEGEND		
SYMBOL	ITEM	QUANTITY
(A)	10" SOLID WHITE EPOXY RESIN PAINT (ITEM 748549)	0 LF
(B)	5" SOLID WHITE EPOXY RESIN PAINT (ITEM 748548)	800 LF
(C)	5" SOLID YELLOW EPOXY RESIN PAINT (ITEM 748548)	450 LF
(D)	5" DOTTED WHITE EPOXY RESIN PAINT, 3' LINE, 9' GAP (ITEM 748548)	0 LF
(E)	5" BROKEN WHITE RETROREFLECTIVE PREFORMED PATTERNED MARKINGS, 10' LINE, 30' GAP (ITEM 748564)	0 LF
(F)	8" SOLID WHITE CONTRAST EPOXY RESIN PAINT, 3" BLACK, 5" WHITE	ITEM 748557 0 LF
(G)	WHITE ALKYD THERMOPLASTIC PAVEMENT SYMBOL/LEGEND (ITEM 748015)	0 SF
(H)	5" SOLID DOUBLE YELLOW EPOXY RESIN PAINT (ITEM 748548)	560 LF
(J)	5" DOTTED WHITE EPOXY RESIN PAINT, 2' LINE, 6' GAP (ITEM 748548)	70 LF
(K)	5" BROKEN YELLOW EPOXY RESIN PAINT, 10' LINE, 30' GAP (ITEM 748548)	110 LF
(L)	PREFORMED RETROREFLECTIVE THERMOPLASTIC PAVEMENT MARKINGS, BIKE SYMBOL (ITEM 748553)	0 EA
(M)	12" SOLID WHITE ALKYD-THERMOPLASTIC (ITEM 748027)	0 LF
(N)	5" DOTTED WHITE RETROREFLECTIVE PREFORMED PATTERNED MARKINGS, 3' LINE, 9' GAP (ITEM 748564)	0 LF

SIGNING LEGEND	
①	REMOVE EXISTING SIGN
②	EXISTING SIGN TO REMAIN
③	PLACE NEW SIGN
④	RENEW EXISTING SIGN
⑤	REPOSITION EXISTING SIGN

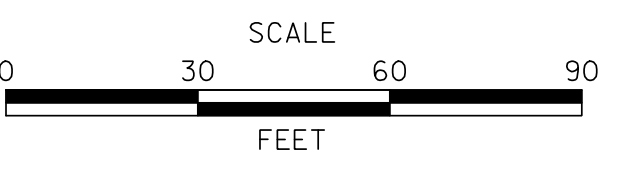
- NOTES:**
- INSTALL PLOWABLE RAISED PAVEMENT MARKERS ALONG THE LIMITS OF THE PROPOSED PAVEMENT STRIPING AS PER CHAPTER 3B OF THE DELDOT MUTCD, AS APPLICABLE.
 - INSTALL POST MOUNTED AND/OR GUARDRAIL MOUNTED DELINEATORS ALONG THE LIMITS OF THE PROPOSED GUARDRAIL AND ROADWAY AS PER CHAPTER 3F OF THE DELDOT MUTCD.
 - THE PROPOSED W16-15p SIGN SHALL BE INSTALLED ABOVE THE PROPOSED W3-3 SIGN FOR A MINIMUM OF 30 DAYS AND MAXIMUM OF 90 DAYS. DELDOT FORCES SHALL BE RESPONSIBLE FOR REMOVAL OF THE W16-15p SIGN.



MATCH LINE STA 4008+00 - SEE DWG. SS-13



ADDENDUMS / REVISIONS



US 13 & PORT PENN RD INTERSECTION

CONTRACT T201011302	BRIDGE NO.
COUNTY NEW CASTLE	DESIGNED BY: J.D.C.
	CHECKED BY: J.M.M.

SIGNING, STRIPING & CONDUIT PLAN

SS-14
SHEET NO. 173
TOTAL SHTS. 179

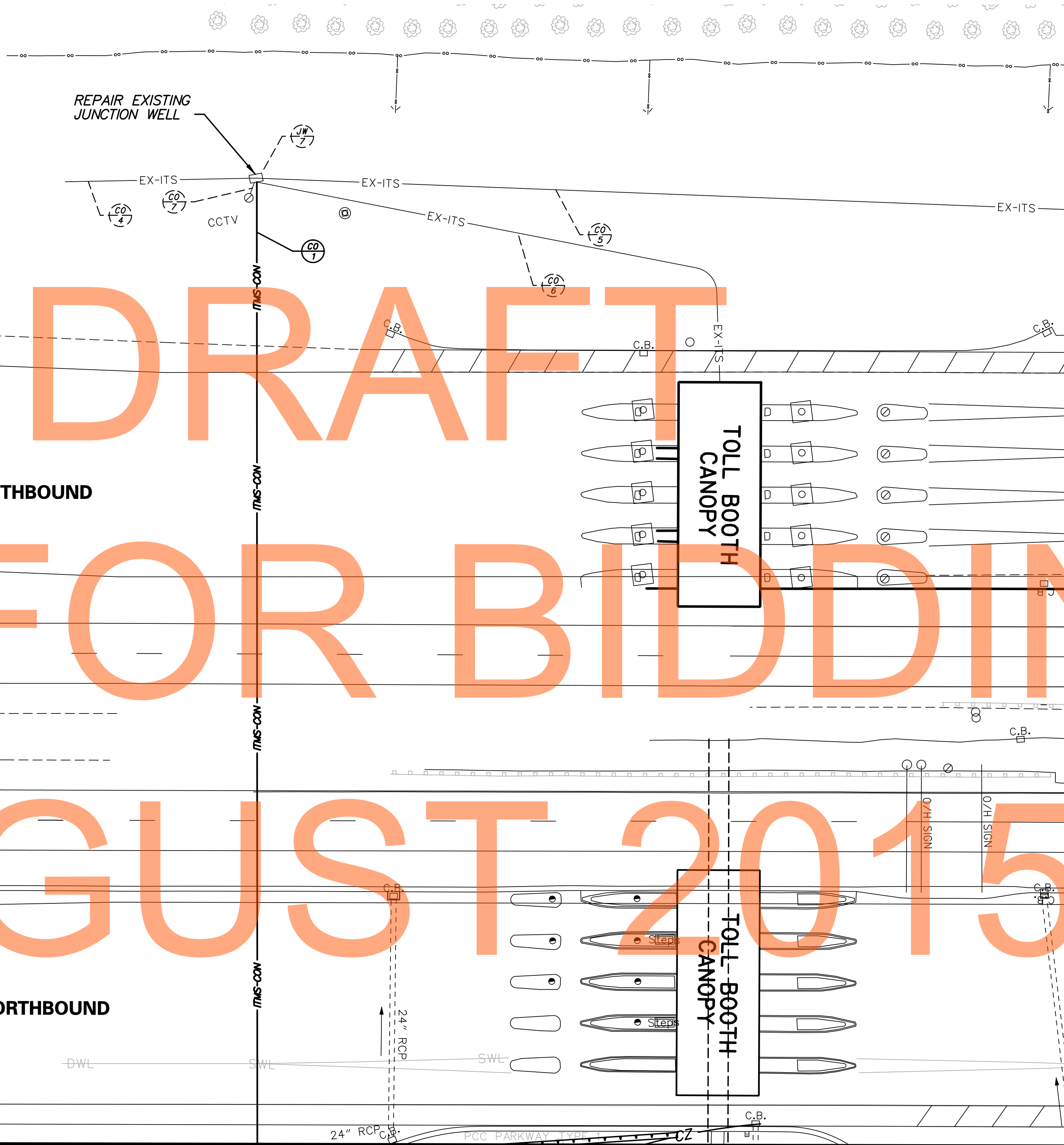
PAVEMENT MARKINGS LEGEND		
SYMBOL	ITEM	QUANTITY
(A)	10" SOLID WHITE EPOXY RESIN PAINT (ITEM 748549)	0 LF
(B)	5" SOLID WHITE EPOXY RESIN PAINT (ITEM 748548)	0 LF
(C)	5" SOLID YELLOW EPOXY RESIN PAINT (ITEM 748548)	0 LF
(D)	5" DOTTED WHITE EPOXY RESIN PAINT, 3' LINE, 9' GAP (ITEM 748548)	0 LF
(E)	5" BROKEN WHITE RETROREFLECTIVE PREFORMED PATTERNED MARKINGS, 10' LINE, 30' GAP (ITEM 748564)	0 LF
(F)	8" SOLID WHITE CONTRAST EPOXY RESIN PAINT, 3" BLACK, 5" WHITE	ITEM 748557 0 LF ITEM 748548 0 LF
(G)	WHITE ALKYD THERMOPLASTIC PAVEMENT SYMBOL/LEGEND (ITEM 748015)	0 SF
(H)	5" SOLID DOUBLE YELLOW EPOXY RESIN PAINT (ITEM 748548)	0 LF
(J)	5" DOTTED WHITE EPOXY RESIN PAINT, 2' LINE, 6' GAP (ITEM 748548)	0 LF
(K)	5" BROKEN YELLOW EPOXY RESIN PAINT, 10' LINE, 30' GAP (ITEM 748548)	0 LF
(L)	PREFORMED RETROREFLECTIVE THERMOPLASTIC PAVEMENT MARKINGS, BIKE SYMBOL (ITEM 748553)	0 EA
(M)	12" SOLID WHITE ALKYD-THERMOPLASTIC (ITEM 748027)	0 LF
(N)	5" DOTTED WHITE RETROREFLECTIVE PREFORMED PATTERNED MARKINGS, 3' LINE, 9' GAP (ITEM 748564)	0 LF

SIGNING LEGEND	
①	REMOVE EXISTING SIGN
②	EXISTING SIGN TO REMAIN
③	PLACE NEW SIGN
④	RENEW EXISTING SIGN
⑤	REPOSITION EXISTING SIGN

ITMS CONDUIT RUN SCHEDULE					
CO#	# OF CONDUITS	SIZE	LENGTH	B/T/O	AMOUNT AND TYPE OF CABLE/WIRE (SUPPLY AND INSTALLATION BY DELDOT FORCES)
1	1	4.0 IN	392 FT**	B	COMMUNICATION CABLE
4*	1	4.0 IN	N/A	-	EX. (1) 144 CT. SM FO, EX (1) 48 CT. SM FO, EX. (1) 24 CT. SM FO
5*	1	4.0 IN	890 FT**	-	EX. (1) 144 CT. SM FO, EX (1) 48 CT. SM FO, EX. (1) 24 CT. SM FO
6*	1	4.0 IN	240 FT	-	EX. (2) 24 CT. SM FO
7*	1	4.0 IN	5 FT	-	EX. COMMUNICATION CABLES

*DENOTES EXISTING CONDUIT
**QUANTITY CONTINUES ON ADJACENT SHEET
B = BORE, T = TRENCH, O = OPEN CUT

ITMS LEGEND	
	PROPOSED MULTIDUCT ITMS CONDUIT
	EXISTING ITMS CONDUIT
	ITMS CONDUIT INSTALLED IN PREVIOUS PHASE
	ITMS CABINET AND IDENTIFIER
	ITMS CONDUIT JUNCTION WELL
	JUNCTION WELL IDENTIFIER (TYPE) (EXISTING AND PROPOSED)
	CONDUIT RUN IDENTIFIER (# OF RUN) (EXISTING AND PROPOSED)
	POLE BASE IDENTIFIER (TYPE) (EXISTING AND PROPOSED)
	PROPOSED CONCRETE BARRIER JUNCTION BOX IDENTIFIER (TYPE)
	TO BE REMOVED BY CONTRACTOR
	PROPOSED ELECTRICAL SERVICE ON PEDESTAL
	POLE BASE



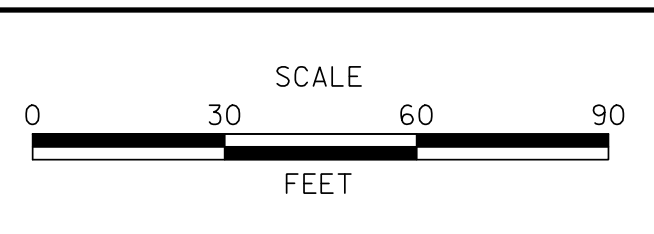
MATCH LINE AA - SEE DWG. SS-10

DRAFT
NOT FOR BIDDING
AUGUST 2015

p:\1653-000\ss15\contract\16\cadd\SS016U301.dwg 11/23/2015 11:25:26 AM



ADDENDUMS / REVISIONS	



US 13 & PORT PENN RD INTERSECTION

CONTRACT T201011302	BRIDGE NO.
COUNTY NEW CASTLE	DESIGNED BY: J.D.C. CHECKED BY: J.M.M.

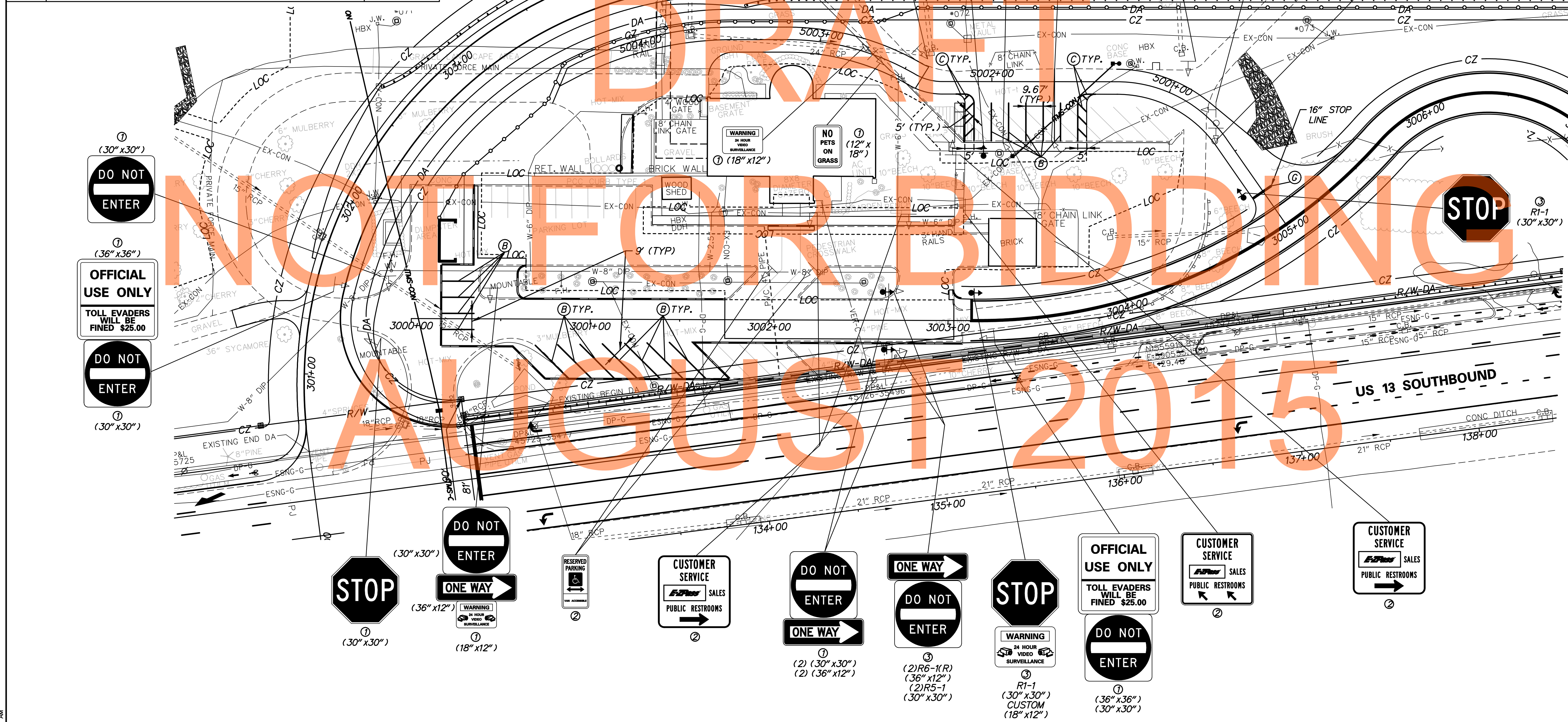
SIGNING, STRIPING & CONDUIT PLAN

SS-15
SHEET NO. 174
TOTAL SHTS. 179

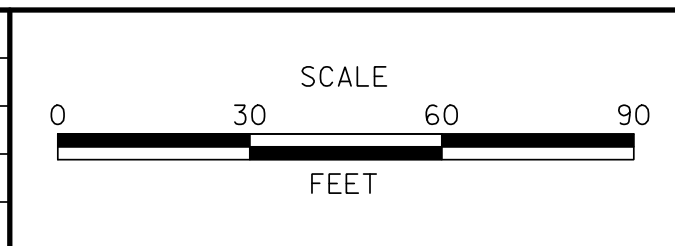
PAVEMENT MARKINGS LEGEND		
SYMBOL	ITEM	QUANTITY
(A)	10" SOLID WHITE EPOXY RESIN PAINT (ITEM 748549)	0 LF
(B)	5" SOLID WHITE EPOXY RESIN PAINT (ITEM 748548)	371 LF
(C)	5" SOLID YELLOW EPOXY RESIN PAINT (ITEM 748548)	120 LF
(D)	5" DOTTED WHITE EPOXY RESIN PAINT, 3' LINE, 9' GAP (ITEM 748548)	0 LF
(E)	5" BROKEN WHITE RETROREFLECTIVE PREFORMED PATTERNED MARKINGS, 10' LINE, 30' GAP (ITEM 748564)	0 LF
(F)	8" SOLID WHITE CONTRAST EPOXY RESIN PAINT, 3" BLACK, 5" WHITE	ITEM 748557 0 LF
(G)	WHITE ALKYD THERMOPLASTIC PAVEMENT SYMBOL/LEGEND (ITEM 748015)	0 LF
(H)	5" SOLID DOUBLE YELLOW EPOXY RESIN PAINT (ITEM 748548)	19 SF
(J)	5" DOTTED WHITE EPOXY RESIN PAINT, 2' LINE, 6' GAP (ITEM 748548)	0 LF
(K)	5" BROKEN YELLOW EPOXY RESIN PAINT, 10' LINE, 30' GAP (ITEM 748548)	0 LF
(L)	PREFORMED RETROREFLECTIVE THERMOPLASTIC PAVEMENT MARKINGS, BIKE SYMBOL (ITEM 748553)	0 EA
(M)	12" SOLID WHITE ALKYD-THERMOPLASTIC (ITEM 748027)	0 LF
(N)	5" DOTTED WHITE RETROREFLECTIVE PREFORMED PATTERNED MARKINGS, 3' LINE, 9' GAP (ITEM 748564)	0 LF

NOTES:
 1. SEE DWG. NO. SS-10 AND SS-11 FOR SIGNING AND PAVEMENT MARKINGS ALONG RAMP R AND US 13 SOUTHBOUND.

SIGNING LEGEND	
①	REMOVE EXISTING SIGN
②	EXISTING SIGN TO REMAIN
③	PLACE NEW SIGN
④	RENEW EXISTING SIGN
⑤	REPOSITION EXISTING SIGN



ADDENDUMS / REVISIONS	



US 13 & PORT PENN RD INTERSECTION

CONTRACT	T201011302	BRIDGE NO.	
COUNTY	NEW CASTLE	DESIGNED BY:	J.D.C.
		CHECKED BY:	J.M.M.

SIGNING, STRIPING & CONDUIT PLAN	SHEET NO.	175
	TOTAL SHTS.	179
	SS-16	

PANEL DESIGNATION	DWG. NO.	QUANTITY	LEGEND	SIZE			COLOR			BORDER			ARROW	SHEILD	REMARKS	
				AREA (SF)	WIDTH	HEIGHT	LEGEND	BCKGRND	THICKNESS	RADIUS						
GM-1	SS-01	1		161	14'-0"	11'-6"	W	G	2"	12"	---	M-5 (36"x36"), M-1 (36"x36")	---	---	EXTRUDED ALUMINUM	
				42	14'-0"	3'-0"	BLK	FY	2"	12"	---	---	---	---	---	EXTRUDED ALUMINUM
GM-2	SS-05	1		192	16'-0"	12'-0"	W	G	2"	12"	---	STD. UP ARROW @135°	M-5 (36"x36"), M-1 (36"x36")	---	---	EXTRUDED ALUMINUM
GM-3	SS-09	1		21	72"	42"	W	BRO	1"	3"	---	STD. ARROW @0°	SHAFT WIDTH =2.5"	---	---	SHEET ALUMINUM
GM-4	SS-12	1		21	72"	42"	W	BRO	1"	3"	---	STD. ARROW @180°	SHAFT WIDTH =2.5"	---	---	SHEET ALUMINUM

PANEL DESIGNATION	DWG. NO.	QUANTITY	LEGEND	SIZE			COLOR			BORDER			ARROW	SHEILD	REMARKS	
				AREA	WIDTH	HEIGHT	LEGEND	BCKGRND	THICKNESS	RADIUS						
GM-10	SS-12	1		63	9'-0"	7'-0"	W	BLU	1.5"	6"	---	---	STD. ARROW @0°	SHAFT WIDTH =2.5"	---	EXTRUDED ALUMINUM. SEE THIS DRAWING FOR E-Z PASS LOGO DETAILS.
GM-9	SS-10	1		12.5	30"	60"	BLK	W	0.75"	1.875"	---	---	---	---	---	SHEET ALUMINUM SEE STANDARD R3-2 (30"x30") FOR LEFT TURN PROHIBITION SYMBOL DETAIL
EZ-12	---	---		3.5	42"	12"	W	PUR	1/4"	---	---	---	---	---	---	---

COLORS: BLK=BLACK, BLU=BLUE, BRO=BROWN, G=GREEN, R=RED, W=WHITE, Y=YELLOW, FY=FLUORESCENT YELLOW, FYG=FLUORESCENT YELLOW GREEN, PUR=PURPLE.

DRAFT
NOT FOR BIDDING
AUGUST 2015

p:\1953-000\Sign\Drawings\SS07U30_10.dgn 11/27/2014 11:53:44 AM

GUIDE SIGN STEEL SUPPORT CHART

SIGN NO.	SIGN SIZE (WXH)	SHEET NO.	POST SIZE	SUPPORT L-1	SUPPORT L-2	SUPPORT L-3	LATERAL CLEARANCE		SUPPORT SPACING FROM LEFT EDGE OF SIGN
							OFFSET	OBJECT**	
GM-1	14'x14.5'	SS-01	W10x26	24'-0"	24'-0"	-	(11.25'/12.25')	CM (ES/ES)	1.5'-11'-1.5'
GM-2	16'x12'	SS-05	W10x22	20'-6"	20'-6"	-	(11'/12')	CM (ES/ES)	3.2'-9.6'-3.2'
GM-10	9'x7'	SS-12	W6x12	15'-0"	15'-6"	-	6.0'	ES	.75'-7.5'-.75'

NOTES:

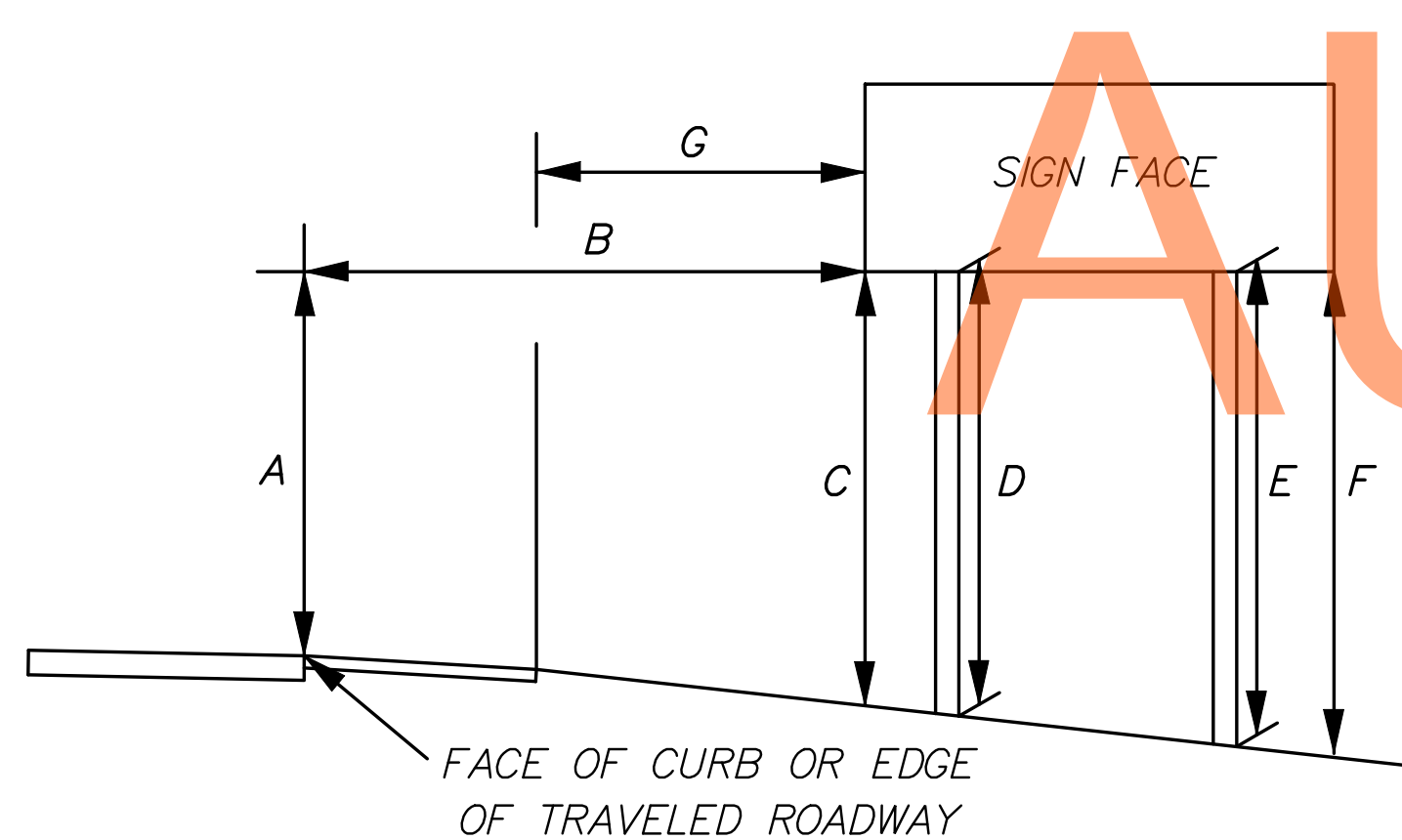
- WHEN SPACING BETWEEN STEEL BEAM SUPPORTS IS GREATER THAN 8'-0" INSTALL DOUBLE ALUMINUM ANGLES (2) 1/2" x 3 1/2" x 1/4" FROM TOP TO BOTTOM OF SIGN WITH POST CLIPS INSTALLED AT EACH EXTRUDED ALUMINUM PANEL. COST TO FURNISH AND INSTALL ALUMINUM ANGLES SHALL BE INCIDENTAL TO THE INSTALLATION OF SIGNS ON GROUND MOUNT POSTS ITEM.
- A MINIMUM 7'-0" FROM INSIDE OF FLANGE TO INSIDE OF FLANGE SHALL BE MAINTAINED BETWEEN ALL STEEL BEAM SIGN SUPPORTS LARGER THAN W6X9.
- ALL STEEL BEAM SIGN SUPPORTS SHALL BE MOUNTED ON BREAKAWAY BASES REGARDLESS OF WHETHER PROTECTED BY TRAFFIC BARRIER OR UNPROTECTED. BREAKAWAY BASE SUPPORT SYSTEMS SHALL BE TRANSPRO INDUSTRIES OR APPROVED EQUAL.
- STEEL SUPPORTS DESIGNED FOR 90 MPH WIND SPEED AND 25 YEAR DESIGN LIFE USING ASTM A709 GRADE 36 STEEL BEAM SUPPORTS.

FOUNDATION SELECTION MATRIX

POST SIZE	FOUNDATION DIAMETER	ROADWAY CUT / FILL SLOPE										
		≥2:1	3:1	4:1	5:1	6:1	7:1	8:1	9:1	10:1	12:1	≤13:1
W6x9	30"	*	C	C	C	C	B	B	B	A	A	A
W6x12 or TS 5"x5"x1/4"	30"	*	C	C	C	C	B	B	B	A	A	A
W6x15, W6x16 or TS 6"x6"x 1/4 "	30"	*	C	C	C	C	B	B	B	A	A	A
W8x18	30"	*	C	C	C	C	B	B	B	A	A	A
W8x21 or TS 7"x7"x 1/4"	30"	*	C	C	C	C	B	B	B	A	A	A
W10x22 or TS 8"x8"x 1/4"	36"	*	*	C	C	C	C	B	B	B	A	A
W10x26	36"	*	*	C	C	C	C	B	B	B	A	A
W12x26	36"	*	*	C	C	C	C	B	B	B	A	A
W14x30	36"	*	*	C	C	C	C	B	B	B	A	A
W16x31	36"	*	*	C	C	C	C	B	B	B	A	A
W18x35 or W18x40	36"	*	*	C	C	C	C	B	B	B	A	A
W21x44	42"	*	*	C	C	C	C	B	B	B	B	A

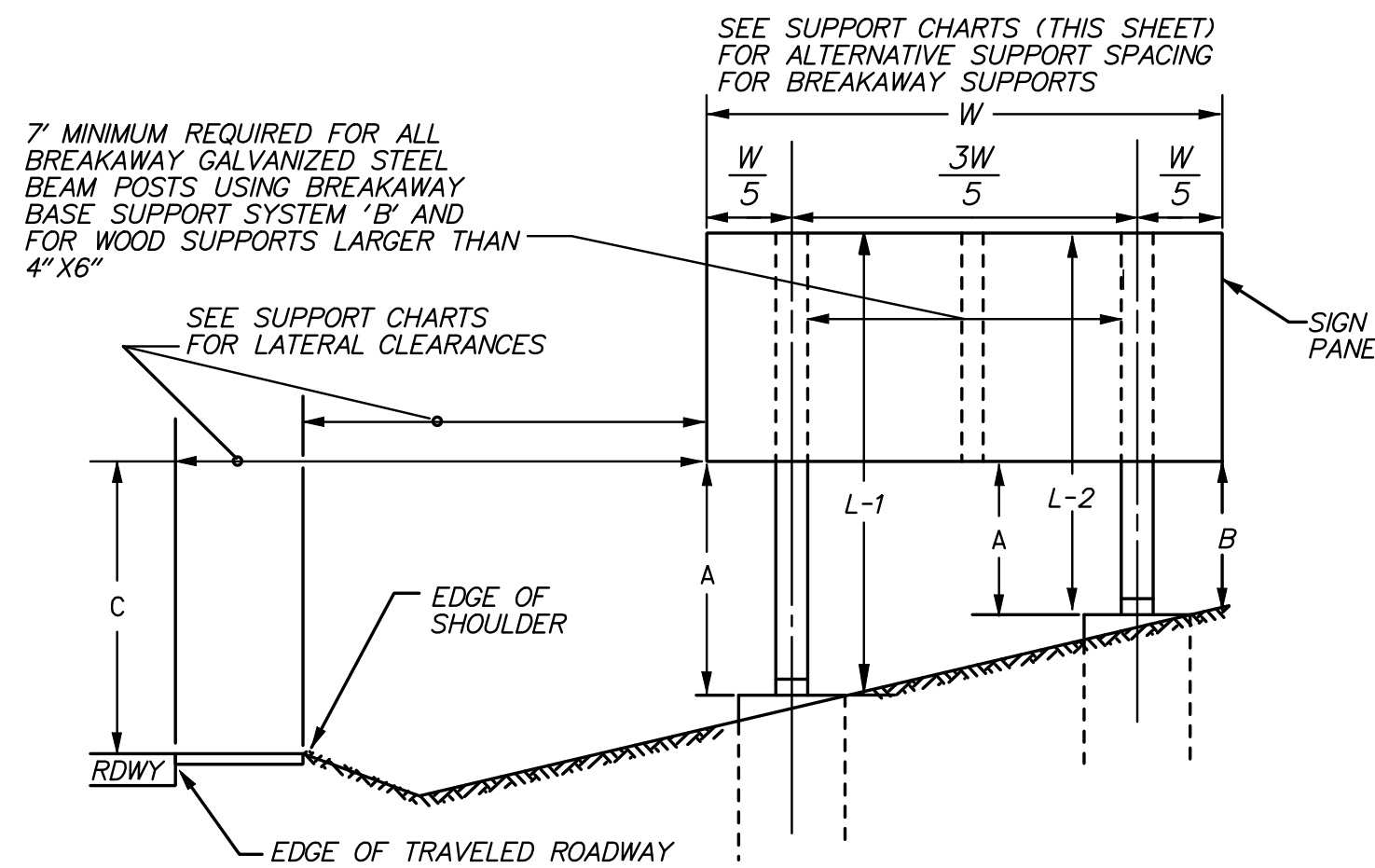
*IF A FOUNDATION EXCEEDS THE 4" AASHTO CRITERIA, THE CONTRACTOR SHALL CONTACT THE ENGINEER FOR APPROPRIATE GUIDANCE.

SIGN STAKEOUT DIMENSIONS



NOTE: CONTRACTOR SHALL COMPLETE SIGN STAKEOUT AND DETERMINE EXACT STEEL SIGN SUPPORT DIMENSIONS. STAKEOUT DIMENSIONS AND STEEL SIGN SUPPORT DIMENSIONS SHALL BE SUBMITTED TO ENGINEER FOR APPROVAL PRIOR TO FABRICATION OF STEEL SIGN SUPPORTS.

SIGN CLEARANCE



VERTICAL CLEARANCE OF SIGNS

- A. 7'-6" MINIMUM FOR BREAKAWAY SUPPORTS OR 7'-0" FOR NON-BREAKAWAY SUPPORTS.
- B. 2'-0" MINIMUM
- C. 7'-6" MINIMUM & PREFERABLE. THIS DIMENSION IS TO BE INCREASED ONLY WHEN REQUIRED TO MEET A = 7'-6" FOR BREAKAWAY OR A (MIN.) = 7'-0" FOR NON-BREAKAWAY AND B (MIN) 2'-0" ALL DIMENSIONS ARE TO BOTTOM OF SIGN

*TOTAL WEIGHT BELOW THE HINGES SHOULD BE LESS THAN 600 POUNDS

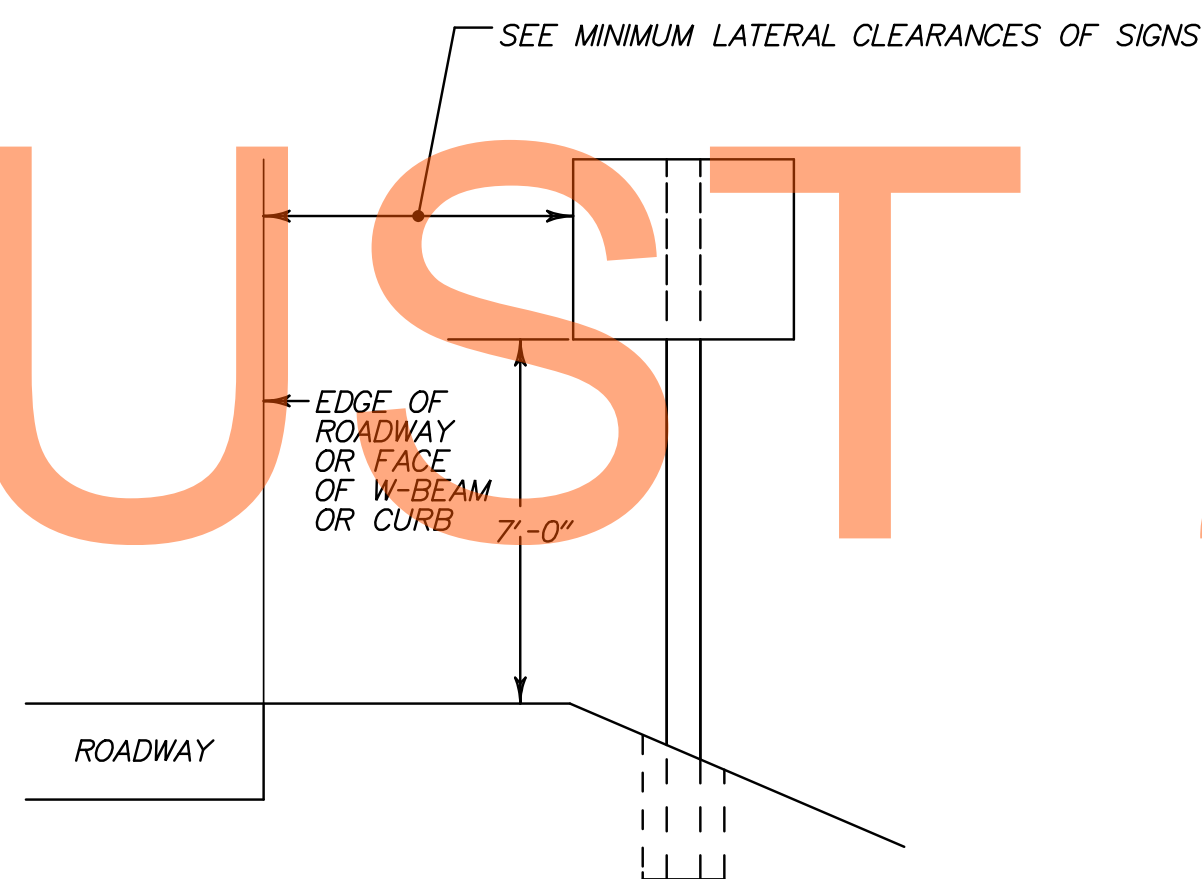
LATERAL CLEARANCE

SEE SUPPORT CHARTS

**OBJECT CODES

- W = FACE OF W-BEAM TRAFFIC BARRIER
- FOC = FACE OF CURB
- ES = EDGE OF SHOULDER
- ETR = EDGE OF TRAVELED ROADWAY
- CM = CENTERED IN MEDIAN (LEFT OBJECT/ RIGHT OBJECT)
- CG = CENTERED IN GORE (LEFT OBJECT/ RIGHT OBJECT)
- B = FACE OF CONCRETE TRAFFIC BARRIER

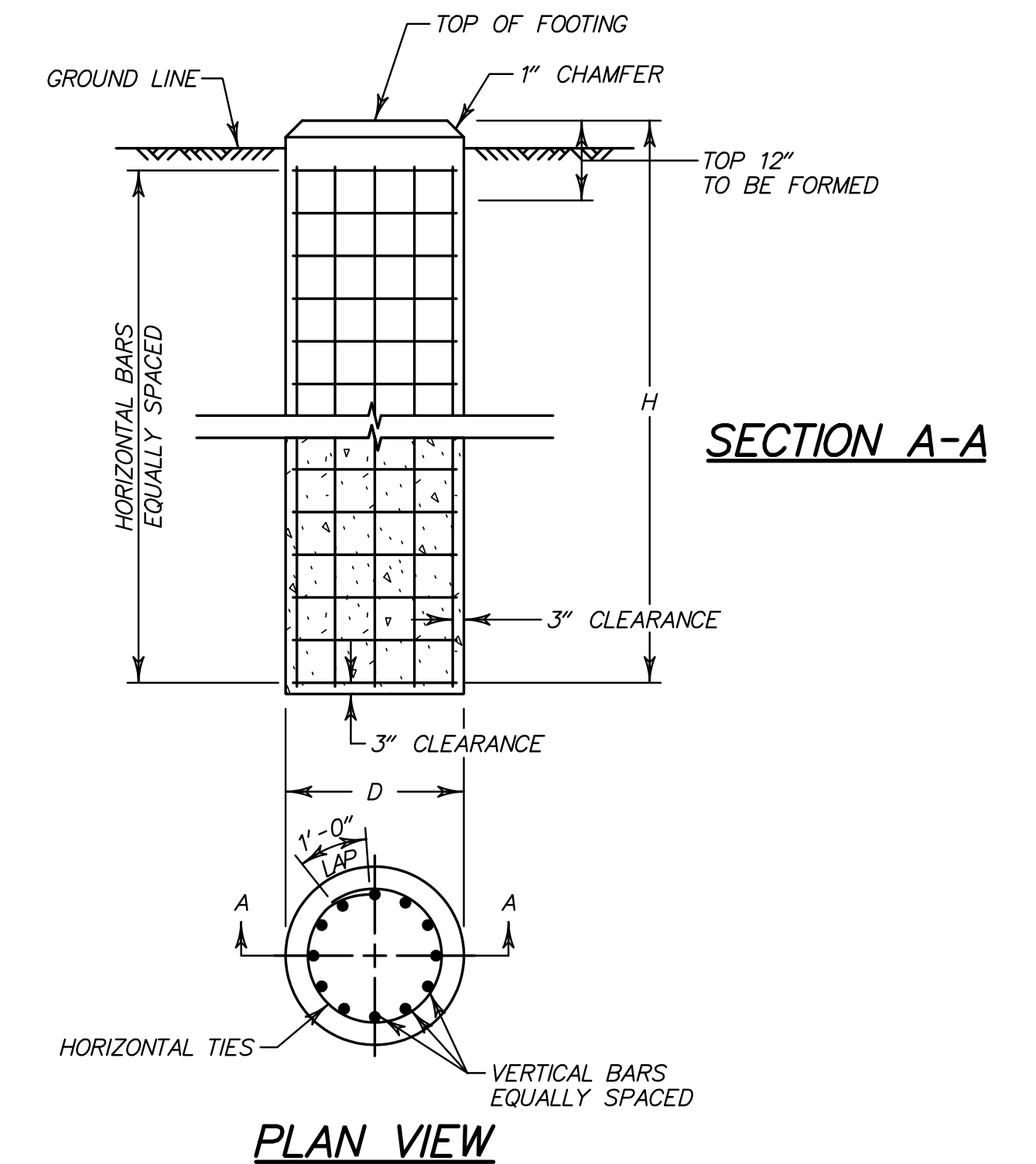
STANDARD SIGN VERTICAL AND LATERAL CLEARANCE DETAIL



MINIMUM LATERAL CLEARANCE OF SIGNS:

- 1 = EDGE OF SIGN 6' FROM FACE OF W-BEAM TRAFFIC BARRIER
- 2 = EDGE OF SIGN 6' FROM EDGE OF SHOULDER
- 3 = EDGE OF SIGN 6' PREFERABLE MIN. (2' ABSOLUTE MIN.) FROM EACH EDGE OF SHOULDER IN MEDIAN OR CURB

GALVANIZED STEEL BEAM TYPE A SIGN POST FOUNDATION DETAIL



FOUNDATION DATA TABLE

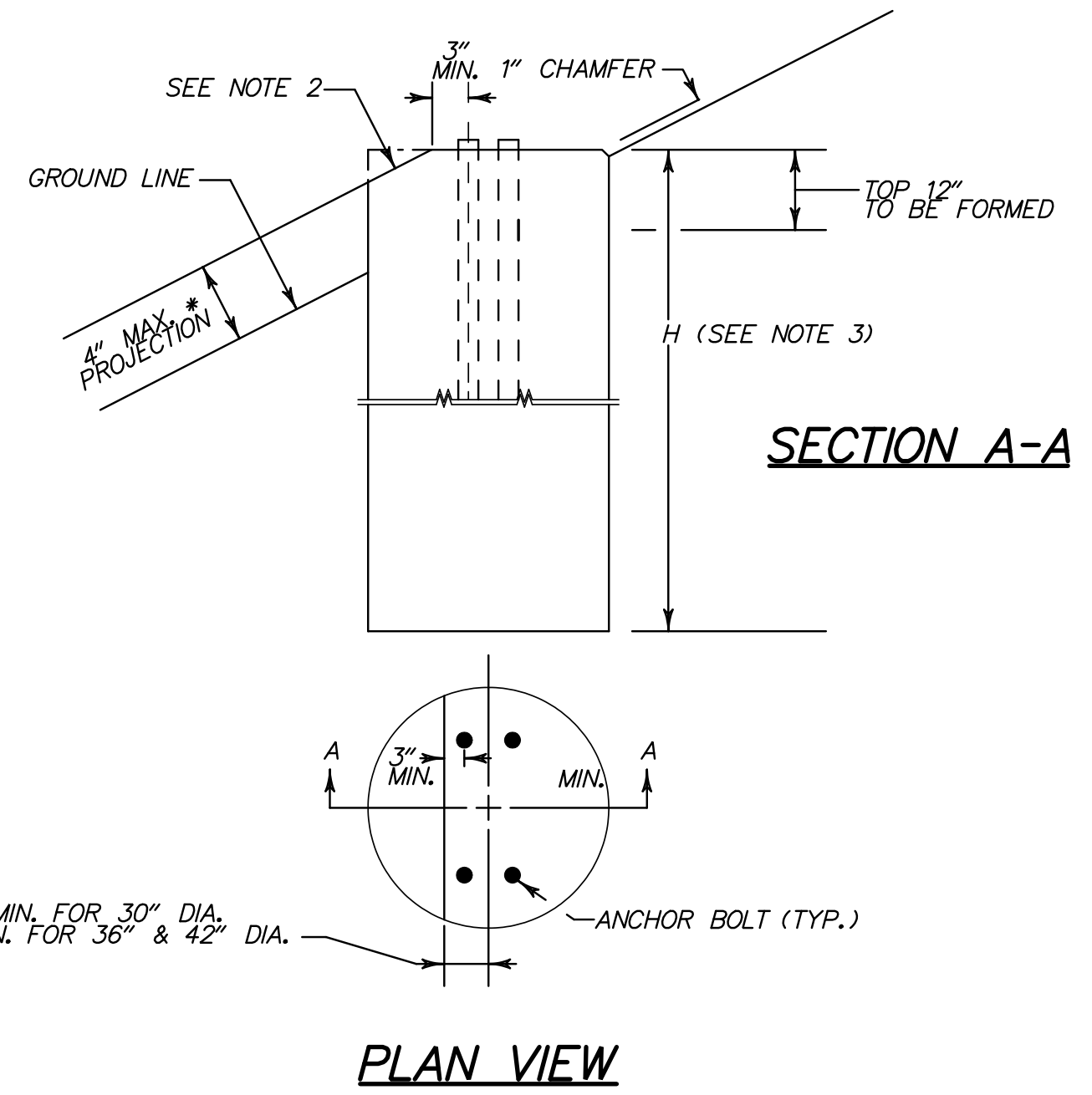
POST SIZE	D	H	VERTICAL REINFORCEMENT	HORIZONTAL REINFORCEMENT	CONCRETE REQUIRED (CY)
W6x9	30"	6'-0"	EIGHT (8)-NO. 7	SEVEN (7)-NO. 4	1.1
W6x12 OR TS-5x5x1/4	30"	6'-0"	EIGHT (8)-NO. 7	SEVEN (7)-NO. 4	1.1
W6x15, W6x16 OR TS-6x6x1/4	30"	6'-6"	EIGHT (8)-NO. 7	SEVEN (7)-NO. 4	1.2
W8x18	30"	7'-6"	EIGHT (8)-NO. 9	EIGHT (8)-NO. 4	1.4
W8x21 OR TS-7x7x1/4	30"	8'-0"	EIGHT (8)-NO. 9	NINE (9)-NO. 4	1.5
W10x22 OR TS-8x8x5/16	36"	8'-6"	EIGHT (8)-NO. 10	NINE (9)-NO. 4	2.3
W10x26	36"	9'-0"	EIGHT (8)-NO. 10	TEN (10)-NO. 4	2.4
W12x26	36"	10'-0"	EIGHT (8)-NO. 10	ELEVEN (11)-NO. 4	2.7
W14x30	36"	11'-0"	EIGHT (8)-NO. 10	TWELVE (12)-NO. 4	2.9
W16x31	36"	12'-0"	EIGHT (8)-NO. 10	THIRTEEN (13)-NO. 4	3.2
W18x35 OR W18x40	36"	13'-0"	EIGHT (8)-NO. 10	FOURTEEN (14)-NO. 4	3.5
W21x44	42"	12'-0"	TWELVE (12)-NO. 10	THIRTEEN (13)-NO. 4	4.3

STEEL POST BREAKAWAY SYSTEM SELECTION CHART

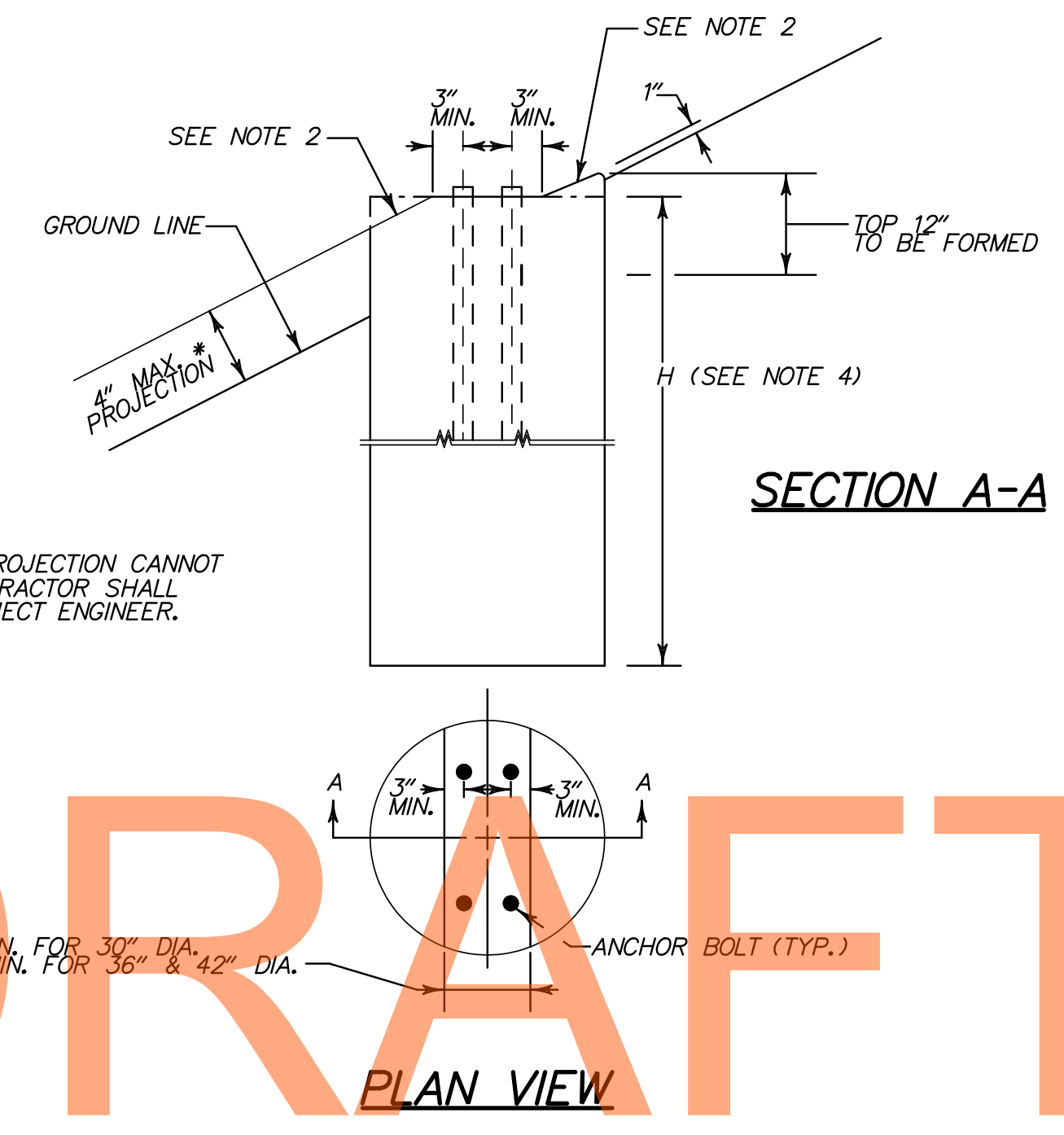
SYSTEM TYPE	ASSOCIATED POST SIZE
A16	W6X9
B525	W6X12, W6X15, W6X16, W8X18, W8X21, 5" x 5" & 6" x 6" SQUARE
B650	7" x 7" AND 8" x 8" SQUARE AND ALL I-BEAMS LARGER THAN W8X21

p:\1953-2000\sign\struct\1d\cead\SS018U301.dwg 11/27/2012 11:52:47 AM

**GALVANIZED STEEL BEAM TYPE B
SIGN POST FOUNDATION DETAIL**

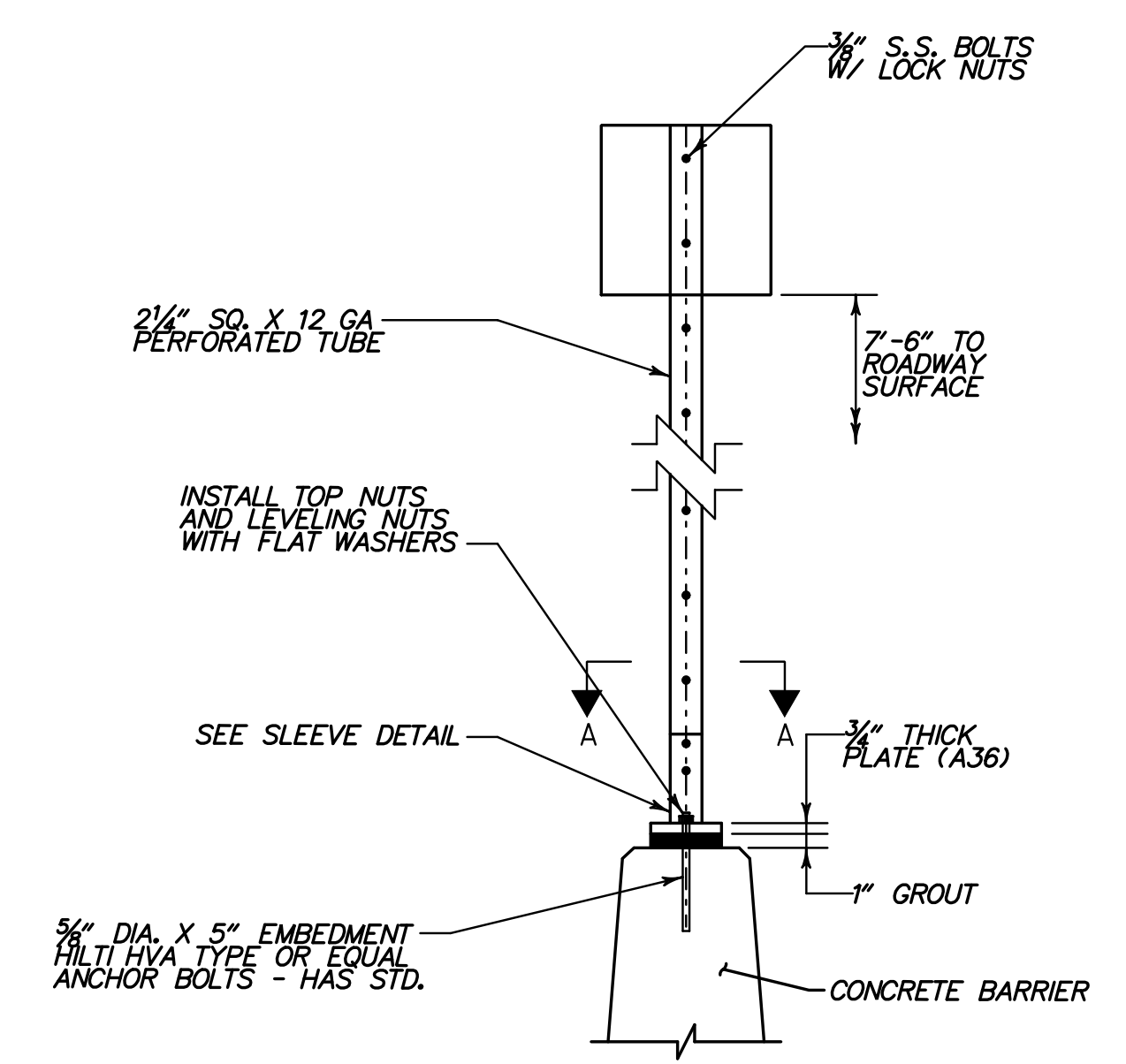


**GALVANIZED STEEL BEAM TYPE C
SIGN POST FOUNDATION DETAIL**

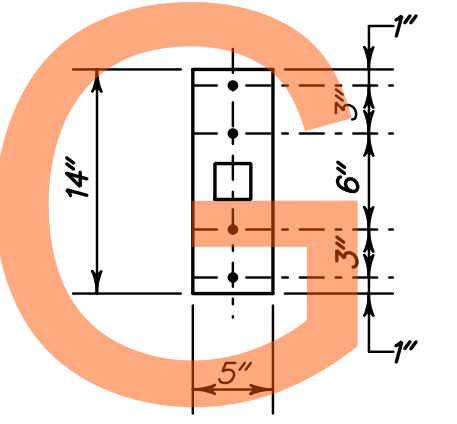


*IF 4" MAX. PROJECTION CANNOT BE MET, CONTRACTOR SHALL CONTACT PROJECT ENGINEER.

BARRIER SIGN SUPPORT

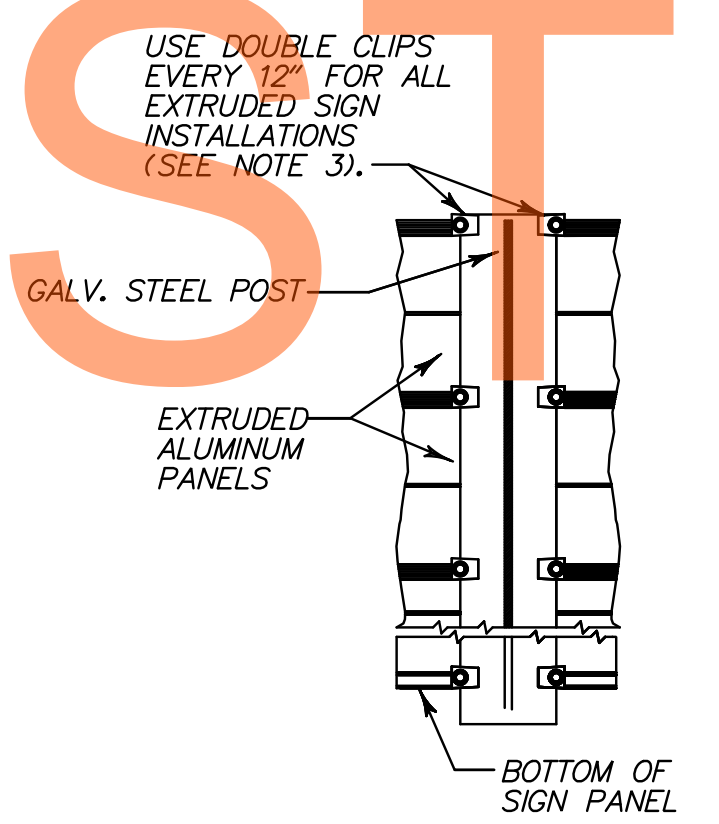


ELEVATION



**VIEW A-A
BASE PLATE**

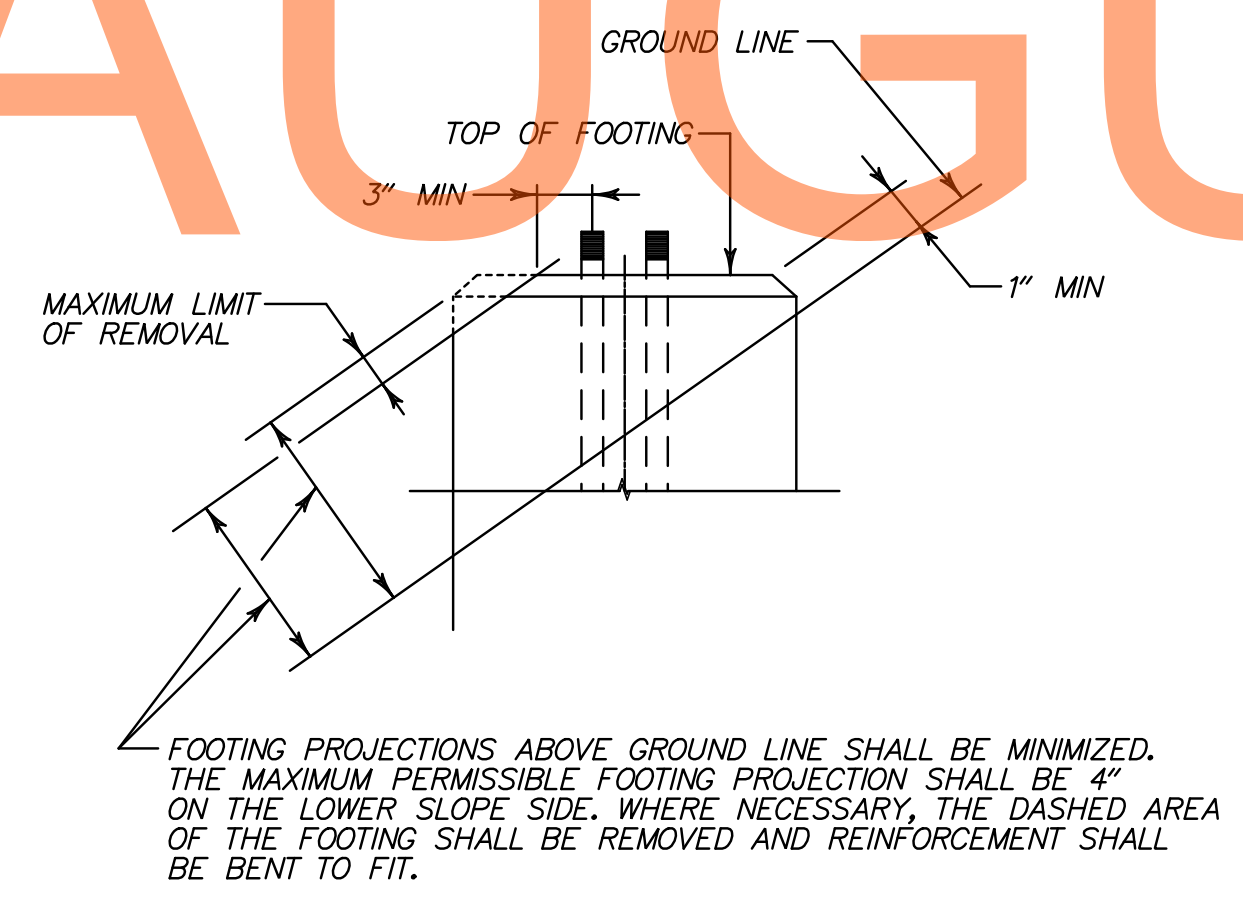
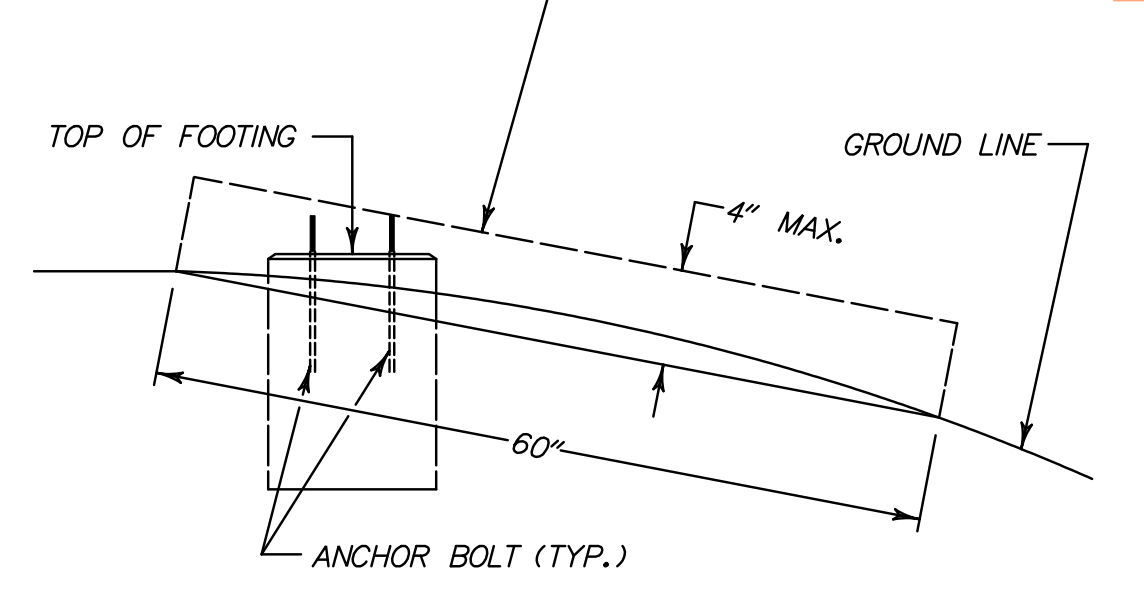
**VERTICAL SUPPORT ATTACHMENT
FOR GROUND MOUNTED SIGNS**



- NOTES:**
1. ALL STEEL SHALL BE HOT DIPPED GALVANIZED.
 2. ALL STEEL SUPPORTS SHALL CONFORM TO A 709, GRADE 36.
 3. POST CLIPS SHALL BE INSTALLED ON EACH SIDE OF SIGN SUPPORT SPACED EVERY 12" FOR ENTIRE HEIGHT OF SIGN, AS SHOWN. POST CLIPS SHALL MEET AASHTO STANDARD SPECIFICATIONS FOR STRUCTURAL SUPPORTS FOR HIGHWAY SIGNS, LUMINAIRES AND TRAFFIC SIGNALS.

**BREAKAWAY POLES ADJUSTMENT
FOR GROUND SLOPES DETAIL**

TO AVOID UNDERCARRIAGE SNAGGING ON CONVEX GROUND PROFILES, THE TOP OF THE FOOTING SHALL NOT PROJECT MORE THAN 4" ABOVE ANY 60" CHORD ALIGNED PERPENDICULARLY TO THE EDGE OF THE ROADWAY BETWEEN A POINT ON THE GROUND SURFACE ON ONE SIDE OF THE SUPPORT TO A POINT ON THE GROUND SURFACE ON THE OTHER SIDE OF THE SUPPORT.



FOOTING PROJECTIONS ABOVE GROUND LINE SHALL BE MINIMIZED. THE MAXIMUM PERMISSIBLE FOOTING PROJECTION SHALL BE 4" ON THE LOWER SLOPE SIDE. WHERE NECESSARY, THE DASHED AREA OF THE FOOTING SHALL BE REMOVED AND REINFORCEMENT SHALL BE BENT TO FIT.

NOTES:

1. THIS FOUNDATION SHALL BE USED ONLY IN LOCATIONS MEETING SLOPE CRITERIA IN ACCORDANCE WITH THE STEEL BREAKAWAY SUPPORT FOUNDATION SELECTION MATRIX ON THE SIGNING CONSTRUCTION DETAILS SHEET.
2. SLOPED PORTIONS OF THE FOUNDATION SHALL MATCH THE FINISHED GROUND SLOPE.
3. ON FILL SLOPES GREATER THAN 6:1 BUT NO STEEPER THAN 3:1, FOUNDATIONS DESIRABLY SHOULD BE INSTALLED A MINIMUM OF 14 FT BEYOND THE HINGE POINT. THE HINGE POINT IS THE POINT OF SLOPE TRANSITION FROM THE SHOULDER SLOPE, OR A RELATIVELY FLAT RECOVERY AREA ADJACENT TO THE ROADWAY, TO A STEEPER FORESLOPE, (ALSO KNOWN AS THE FORESLOPE BREAK).
4. REFER TO GALVANIZED STEEL BEAM TYPE A SIGN POST FOUNDATION DETAIL FOR FOUNDATION DIMENSIONS AND REINFORCING STEEL DETAILS.

NOTES:

1. THIS FOUNDATION SHALL BE USED ONLY IN LOCATIONS MEETING SLOPE CRITERIA IN ACCORDANCE WITH THE STEEL BREAKAWAY SUPPORT FOUNDATION SELECTION MATRIX ON THE SIGNING CONSTRUCTION DETAILS SHEET.
2. SLOPED PORTIONS OF THE FOUNDATION SHALL MATCH THE FINISHED GROUND SLOPE.
3. REFER TO GALVANIZED STEEL BEAM TYPE A SIGN POST FOUNDATION DETAIL FOR FOUNDATION DIMENSIONS AND REINFORCING STEEL DETAILS.

DRAFT
NOT FOR BIDDING
AUGUST 2015

p:\1653-000\signing\cct\16\cadd\SS0190301.dwg 11/23/2012 11:25:46 AM

ADDENDUMS / REVISIONS	

NOT TO SCALE

US 13 & PORT PENN RD INTERSECTION

CONTRACT	BRIDGE NO.
T201011302	
COUNTY	DESIGNED BY: J.D.C.
NEW CASTLE	CHECKED BY: J.M.M.

SIGNING CONSTRUCTION DETAILS

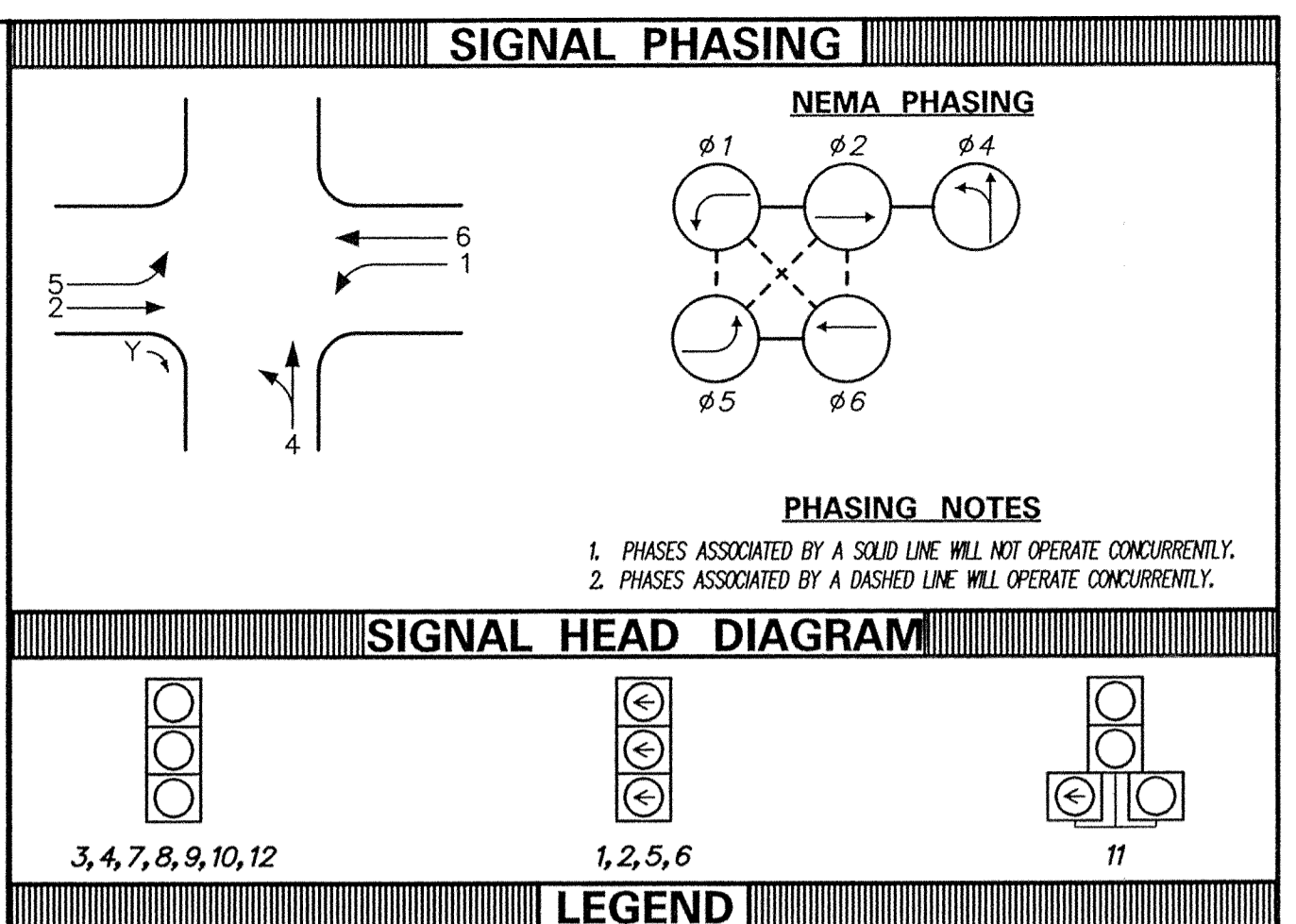
SS-19
SHEET NO.
178
TOTAL SHTS.
179

CO#	* OF CONDUITS	SIZE	LENGTH	B/T/O	AMOUNT AND TYPE OF CABLE/ WIRE
1*	1	2.0 IN	50 FT	T	(1) 2/*8 U.F. W/GROUND
2*	1	2.0 IN	5 FT	T	(1) 2/*8 U.F. W/GROUND
3	4	4.0 IN	11 FT	T	(1) 4/*18, FIBER OPTIC CABLE (BY OTHERS)
4	1	4.0 IN	4 FT	T	(2) 16/*14, (3) 4/*18
5	1	4.0 IN	28 FT	T	(7) 4/*18
6	1	4.0 IN	122 FT	B	(6) 4/*18
7	1	4.0 IN	63 FT	T	(1) 4/*18
8	1	4.0 IN	152 FT	T	(1) 4/*18
9	1	4.0 IN	202 FT	T	(1) 4/*18
10	1	4.0 IN	89 FT	B	(4) 4/*18
11	1	4.0 IN	65 FT	B	(1) 4/*18
12	1	4.0 IN	92 FT	T	(1) 4/*18
13	1	4.0 IN	75 FT	B	(4) 4/*18
14	1	4.0 IN	196 FT	T	(2) 4/*18
15	1	4.0 IN	192 FT	T	(2) 4/*18
16	1	4.0 IN	16 FT	T	FIBER OPTIC CABLE (BY OTHERS)
17	2	3.0 IN	4 FT	T	(2) 16/*14, (3) 4/*18
18	2	3.0 IN	18 FT	T	EMPTY
19	2	3.0 IN	30 FT	T	EMPTY
20	2	3.0 IN	18 FT	T	EMPTY

* RIGID GALVANIZED STEEL CONDUITS
 INSTALLED BY DELDOT FORCES

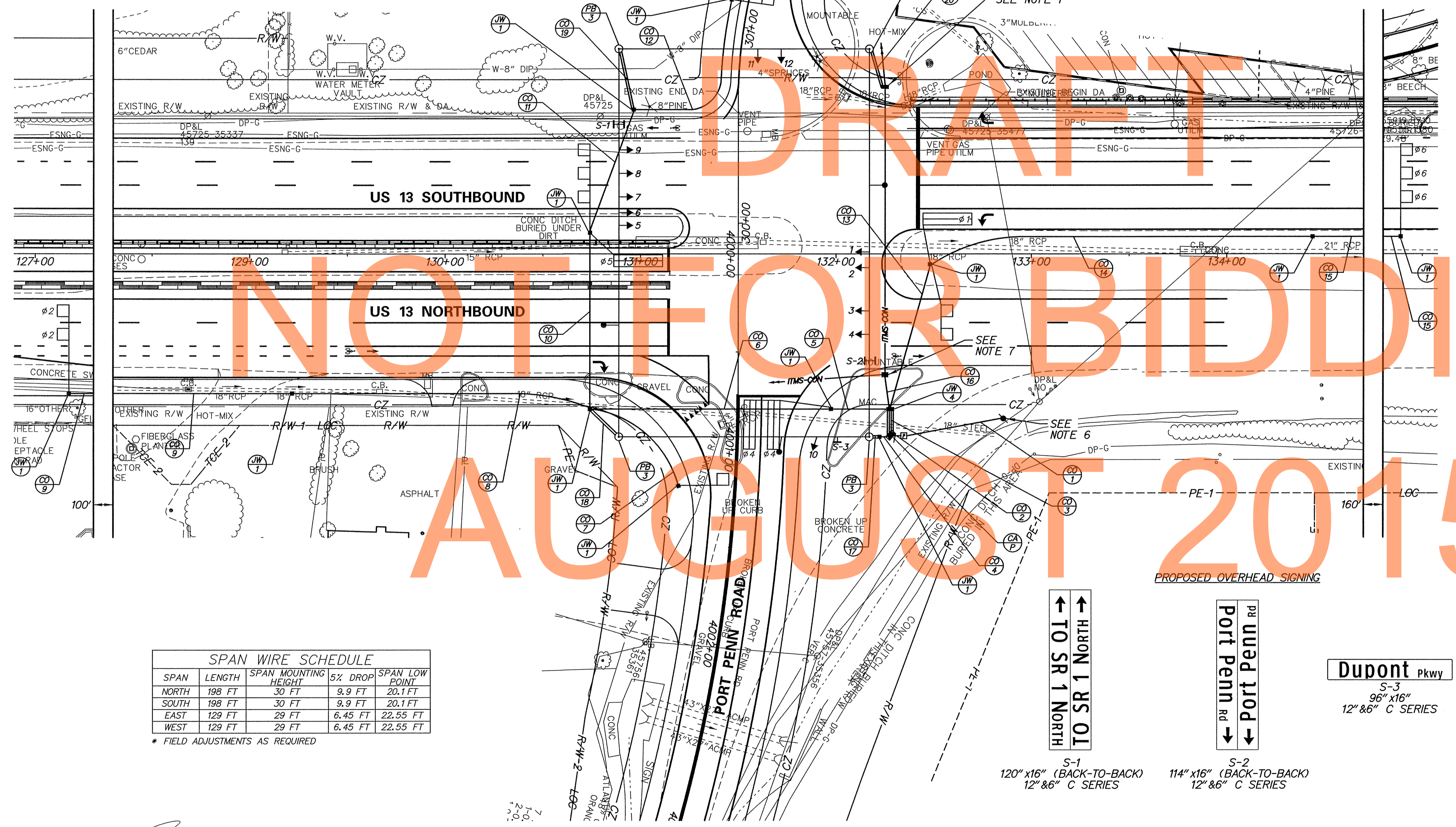
B = BORE, T = TRENCH, O = OPEN CUT

- NOTES:**
- UNLESS OTHERWISE NOTED, THE CONTRACTOR SHALL BE RESPONSIBLE FOR THE INSTALLATION AND REMOVAL OF ALL UNDERGROUND SIGNAL EQUIPMENT - E.G., JUNCTION WELLS, CABINET AND POLE BASES, AND CONDUIT. DELDOT'S TRAFFIC CONTRACTOR SHALL BE RESPONSIBLE FOR THE INSTALLATION AND REMOVAL OF ALL ELECTRICAL CABLES AND ABOVE GROUND SIGNAL EQUIPMENT - E.G., HEADS, OPTICOM RECEIVERS, SPAN WIRES, SERVICE PEDESTAL, POLES, AND CABINET.
 - UTILITY POLE LOCATION MAY BE ADJUSTED PENDING RELOCATION DESIGN BY DELMARVA POWER.
 - SEE SIGNING, STRIPING AND CONDUIT PLANS FOR CONTINUATION OF ITMS CONDUIT AND INSTALLATION OF TYPE 4 AND 7 JUNCTION WELLS.
 - INSTALL TUNNEL VISORS ON SIGNAL HEADS 11 AND 12.
 - ALL CONDUITS SHALL BE RIGID POLYVINYL CHLORIDE, SCHEDULE 80, UNLESS OTHERWISE NOTED.



LEGEND

■ PROPOSED SIGNAL CABINET	○ PROPOSED SIGNAL POLE BASE	○ PROPOSED PEDESTRIAN POLE BASE	○ PROPOSED WOOD POLE	○ PROPOSED JUNCTION WELL	○ PROPOSED JUNCTION WELL	○ PROPOSED CONDUIT RUN IDENTIFIER	○ PROPOSED SIGNAL HEAD	○ PROPOSED SIGNAL HEAD	○ PROPOSED PEDESTRIAN SIGNAL HEAD	○ PROPOSED PEDESTRIAN SIGNAL HEAD	○ PROPOSED PEDESTRIAN PUSHBUTTON	○ PROPOSED VIDEO DETECTION	○ PROPOSED VIDEO DETECTION	○ PROPOSED MICROWAVE DETECTION	○ PROPOSED MICROWAVE DETECTION	○ OVERHEAD SIGNING	○ PROPOSED OPTICOM RECEIVER	○ EXISTING OPTICOM RECEIVER	○ PROPOSED MAST ARM	○ EXISTING MAST ARM	○ PROPOSED LUMINAIRE	○ EXISTING LUMINAIRE	○ PROPOSED LOOP DETECTOR	○ EXISTING LOOP DETECTOR	○ REMOVE BY CONTRACTOR	○ REMOVE BY OTHERS	○ ABANDON	○ PROPOSED POLE BASE IDENTIFIER	○ EXISTING POLE BASE IDENTIFIER	○ PROPOSED JUNCTION WELL IDENTIFIER	○ EXISTING JUNCTION WELL IDENTIFIER	○ PROPOSED CONDUIT RUN IDENTIFIER	○ EXISTING CONDUIT RUN IDENTIFIER	○ PROPOSED OVERHEAD RUN IDENTIFIER	○ EXISTING OVERHEAD RUN IDENTIFIER	○ EXISTING OVERHEAD RUN IDENTIFIER	○ EXISTING OVERHEAD RUN IDENTIFIER	○ PROPOSED MAST ARM IDENTIFIER	○ EXISTING MAST ARM IDENTIFIER	○ PROPOSED CABINET IDENTIFIER	○ EXISTING CABINET IDENTIFIER	○ PROPOSED SPAN WIRE	○ EXISTING SPAN WIRE	○ RIGHT-OF-WAY OR PROPERTY LINE	○ PROPOSED SPAN INSULATOR	○ EXISTING SPAN INSULATOR	○ SERVICE PEDESTAL
---------------------------	-----------------------------	---------------------------------	----------------------	--------------------------	--------------------------	-----------------------------------	------------------------	------------------------	-----------------------------------	-----------------------------------	----------------------------------	----------------------------	----------------------------	--------------------------------	--------------------------------	--------------------	-----------------------------	-----------------------------	---------------------	---------------------	----------------------	----------------------	--------------------------	--------------------------	------------------------	--------------------	-----------	---------------------------------	---------------------------------	-------------------------------------	-------------------------------------	-----------------------------------	-----------------------------------	------------------------------------	------------------------------------	------------------------------------	------------------------------------	--------------------------------	--------------------------------	-------------------------------	-------------------------------	----------------------	----------------------	---------------------------------	---------------------------	---------------------------	--------------------



SPAN WIRE SCHEDULE

SPAN	LENGTH	SPAN MOUNTING HEIGHT	5% DROP	SPAN LOW POINT
NORTH	198 FT	30 FT	9.9 FT	20.1 FT
SOUTH	198 FT	30 FT	9.9 FT	20.1 FT
EAST	129 FT	29 FT	6.45 FT	22.55 FT
WEST	129 FT	29 FT	6.45 FT	22.55 FT

* FIELD ADJUSTMENTS AS REQUIRED

S-1 120" x 16" (BACK-TO-BACK) 12" & 6" C SERIES

S-2 114" x 16" (BACK-TO-BACK) 12" & 6" C SERIES

Dupont Pkwy
 S-3
 96" x 16"
 12" & 6" C SERIES

- GENERAL SIGNAL NOTES**
- LOOP DETECTORS:
 TYPE #1 - 6' x 6' - TO BE INSTALLED ON US 13 THROUGH MOVEMENTS.
 TYPE #2 - 6' x 25' - TO BE INSTALLED ON US 13 LEFT-TURN MOVEMENTS AND WESTBOUND PORT PENN ROAD MOVEMENTS.
 SYSTEM - 6' x 6' - TO BE INSTALLED ON US 13, RAMP R AND PORT PENN ROAD RECEIVING LANES, AS SHOWN.
 - ALL SIGNAL POLES WILL BE 32 FEET, EXCEPT WHERE SHOWN.
 - ALL GALVANIZED CONDUIT (GRC) SHALL BE REAMED AND THREADED. ALL GRC SHALL BE THREADED TOGETHER WITH APPROVED COUPLINGS. SET SCREW, BOLTED, AND COMPRESSION FITTINGS ARE NOT ACCEPTABLE.
 - ALL UNDERGROUND AND OVERHEAD UTILITIES SHOWN ON THESE PLANS ARE SCHEMATIC ONLY AND MAY NOT BE COMPLETE. THE CONTRACTOR SHALL BE RESPONSIBLE FOR NOTIFYING MISS UTILITY AND/OR THE APPROPRIATE UTILITY PRIOR TO THE BEGINNING OF CONSTRUCTION FOR THE UTILITY MARKOUTS. IF THE CONTRACTOR PERCEIVES THAT A CONFLICT BETWEEN UTILITIES AND THE TRAFFIC SIGNAL WILL OCCUR, THE CONTRACTOR SHALL NOTIFY DELDOT TRAFFIC IMMEDIATELY BEFORE CONSTRUCTION.

RECOMMENDED DATE: 10.09.12	RECOMMENDED _____ DATE: _____	RECOMMENDED _____ DATE: _____	APPROVED TRAFFIC ENGINEER DATE: 10/1/12	APPROVED FOR INSTALLATION CHIEF TRAFFIC ENGINEER DATE: 10/1/12
ADDENDUM / REVISIONS			CONTRACT T201011302	PERMIT NO. N784
DELAWARE DEPARTMENT OF TRANSPORTATION			COUNTY NEW CASTLE	DESIGNED BY: J.D.C. (WR&A)
US 13 & PORT PENN RD INTERSECTION			CHECKED BY: J.M.M. (WR&A)	SG-01: SIGNAL PLAN US 13 @ PORT PENN RD
SCALE 0 30 60 90 FEET			SHEET NO. 179	
			TOTAL SHTS. 179	