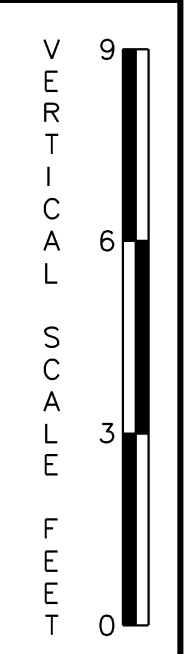


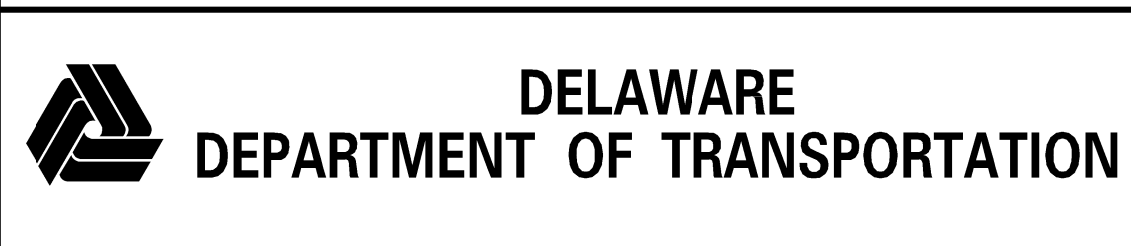
DRAFT

NOT FOR BIDDING

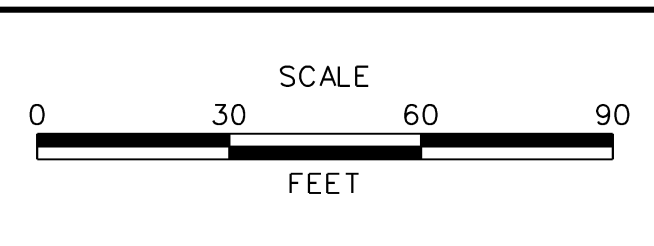
AUGUST 2015



J:\2008 PROJECTS\34801\700CADD\750AET\ROADWAY\PF MD_301D53_001.DGN



ADDENDUMS / REVISIONS	



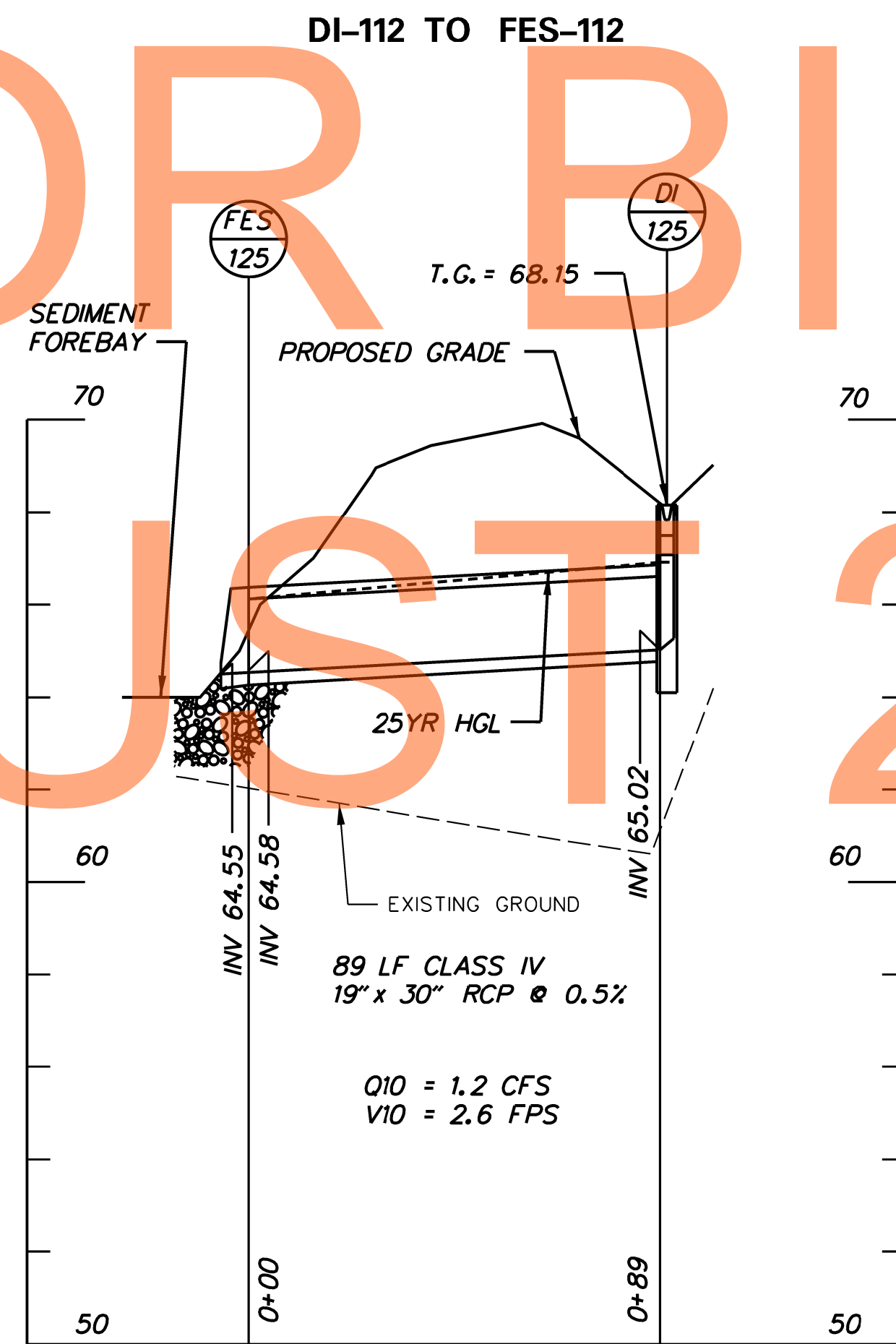
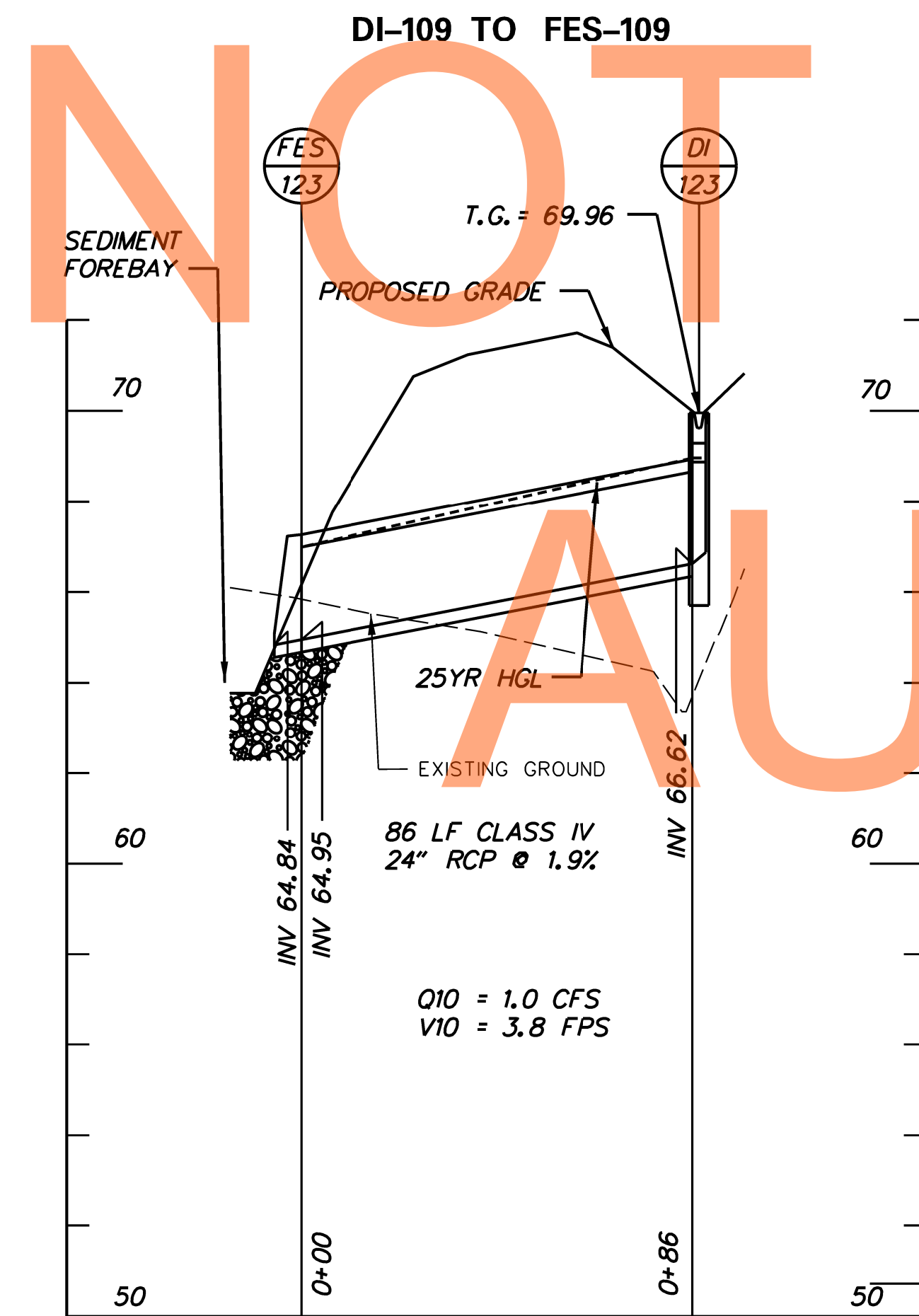
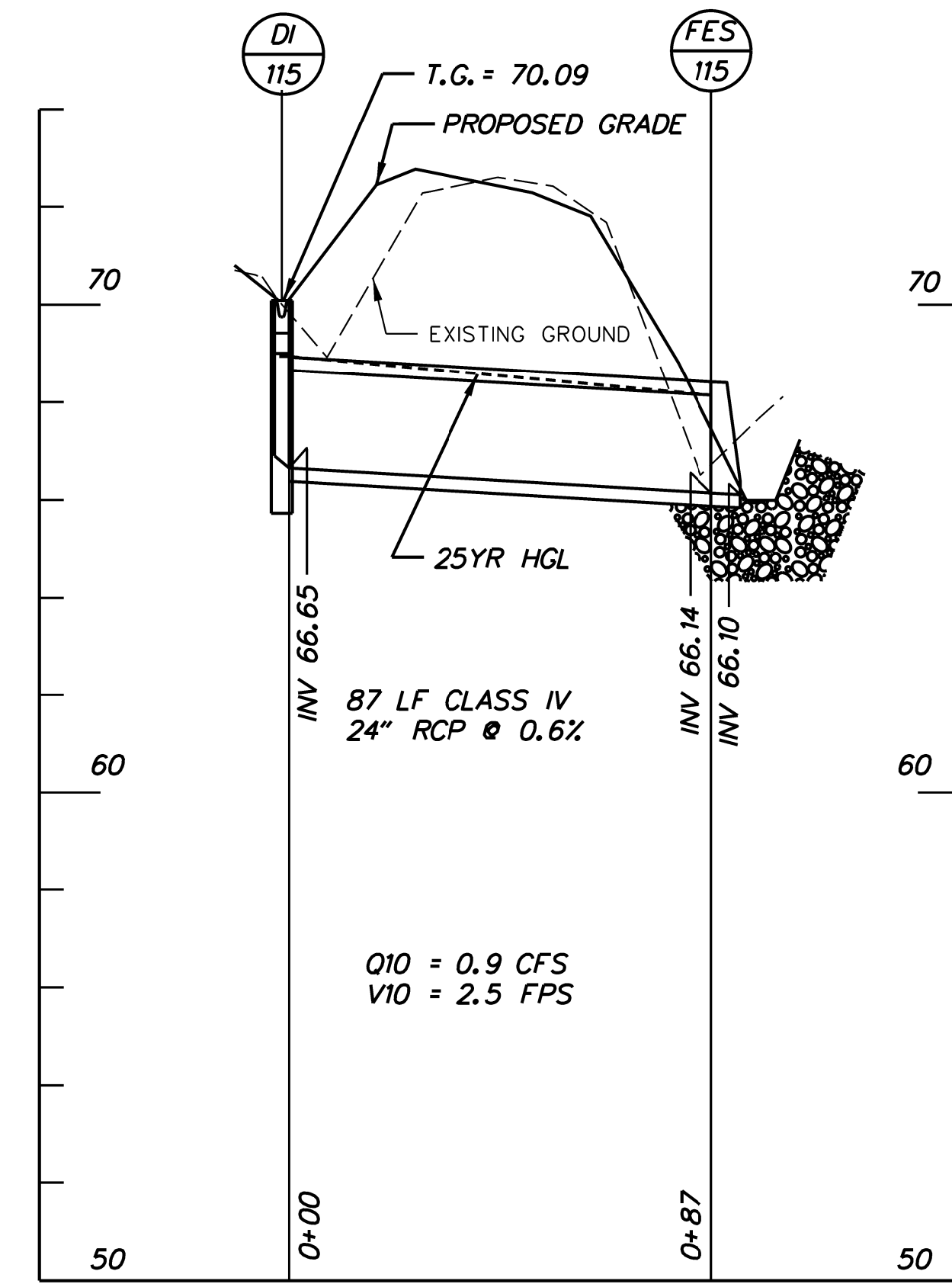
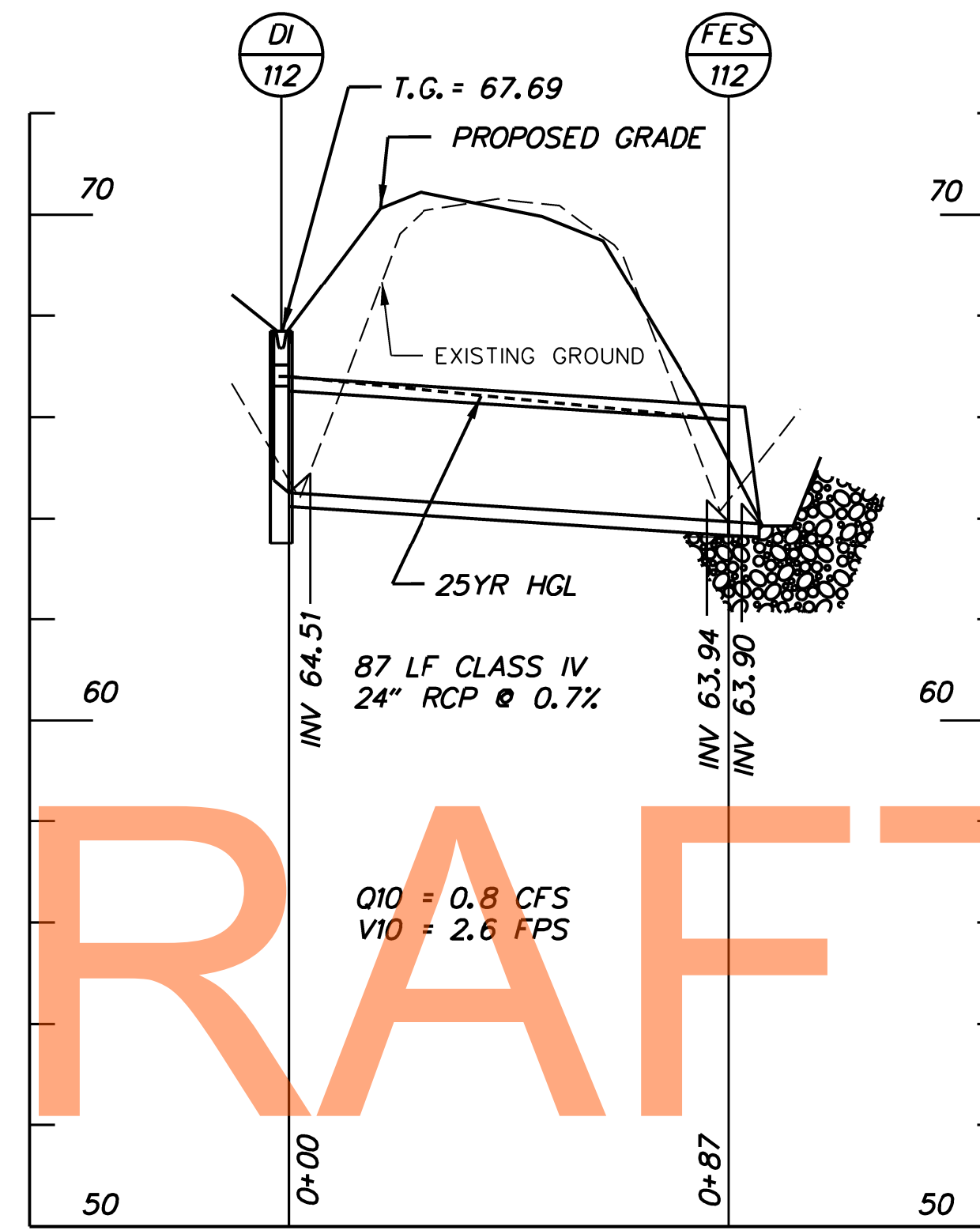
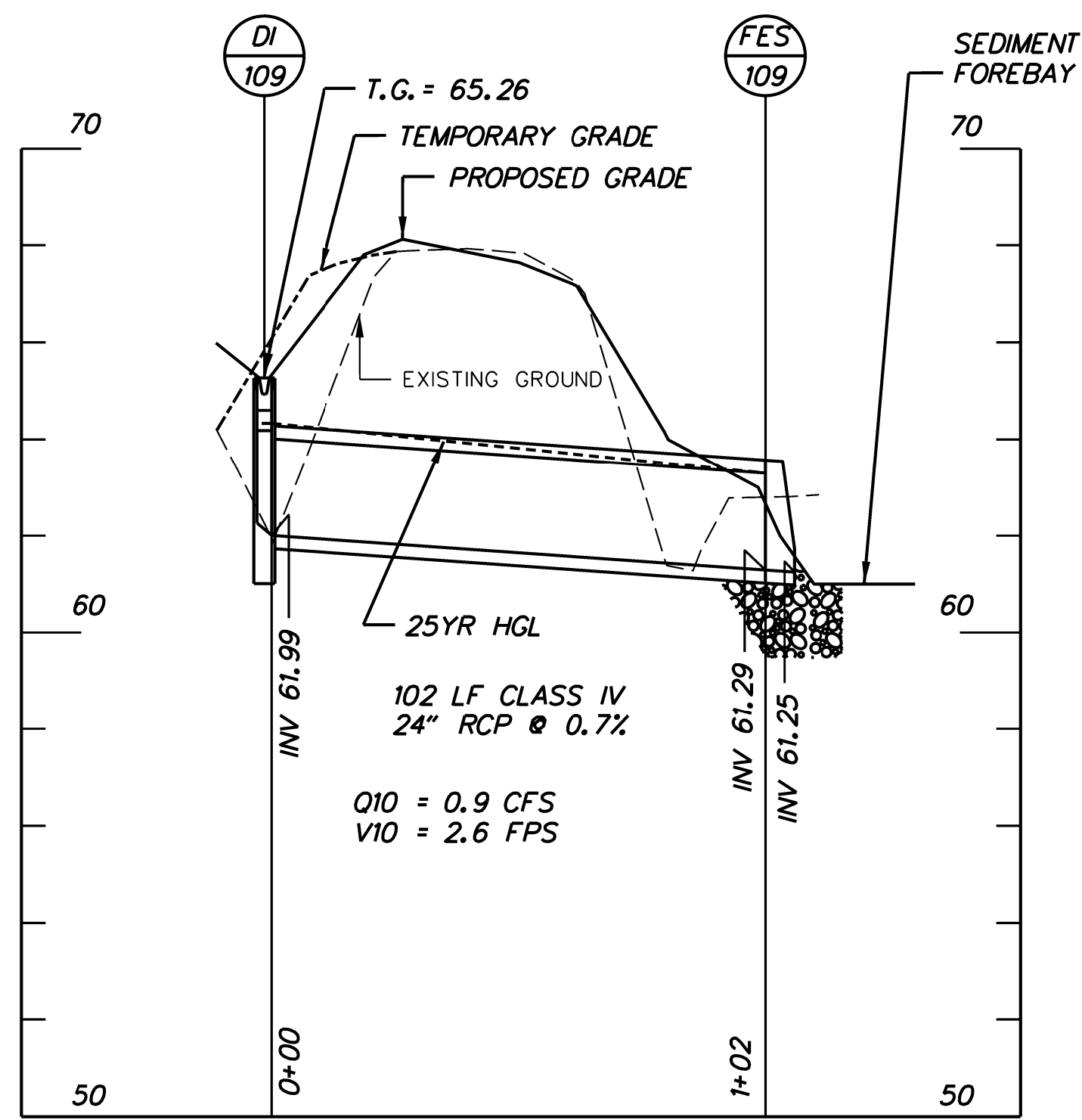
US 301
MARYLAND STATE LINE
TO LEVELS ROAD

CONTRACT T200811301	BRIDGE NO.
COUNTY CECIL	DESIGNED BY: DJJ
	CHECKED BY: TC

MARYLAND
DRAINAGE PROFILES

SHEET NO. 159
TOTAL SHTS. 850

PF-56



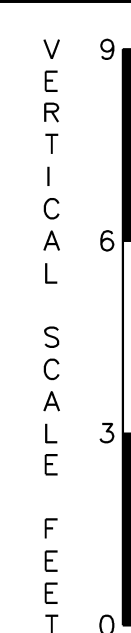
FES-123 TO DI-123

FES-125 TO DI-125

DRAFT

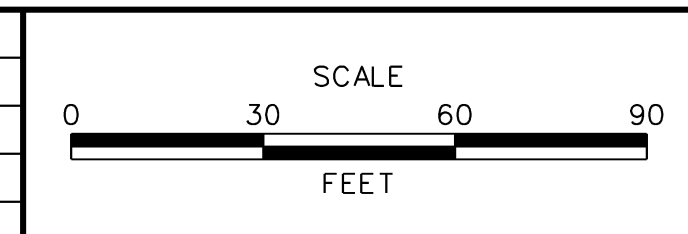
NOT FOR BIDDING

AUGUST 2015



J:\2008 PROJECTS\34801\700CADD\750AET\ROADWAY\PF MD_301D53_002.DGN

ADDENDUMS / REVISIONS	



CONTRACT T200811301	BRIDGE NO.
COUNTY CECIL	DESIGNED BY: DJJ
	CHECKED BY: TC

PF-57	
SHEET NO.	160
TOTAL SHTS.	850