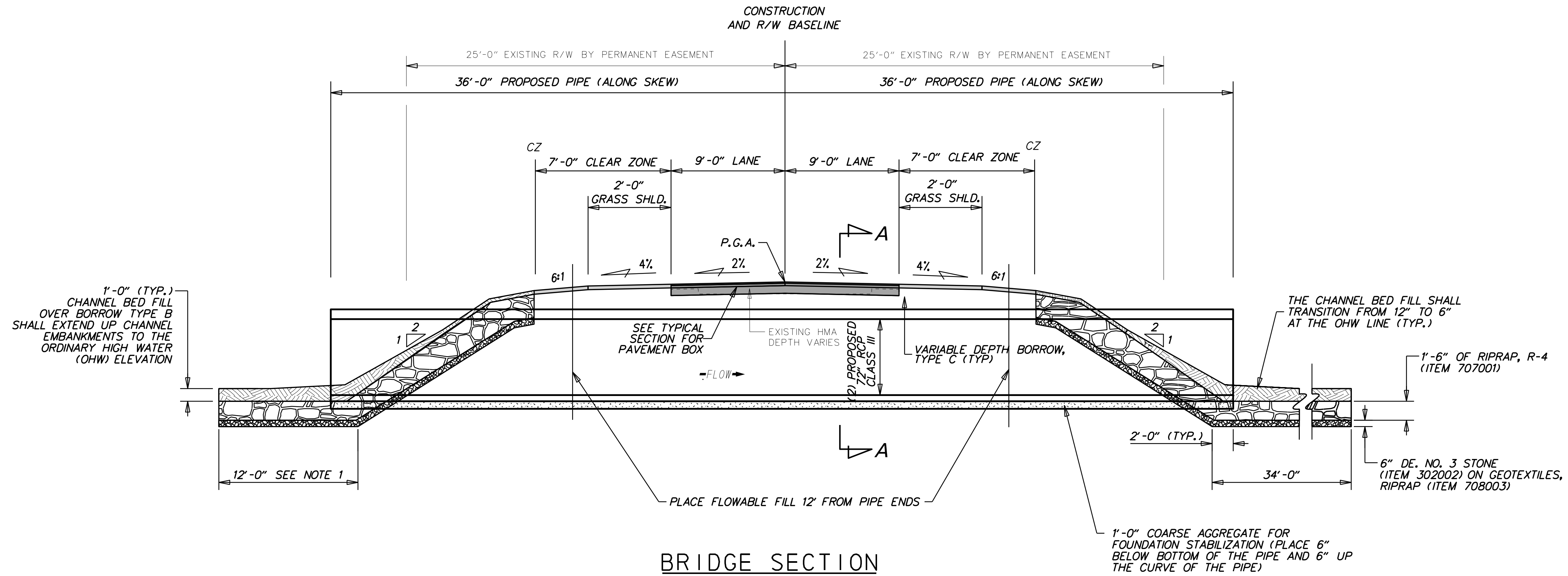
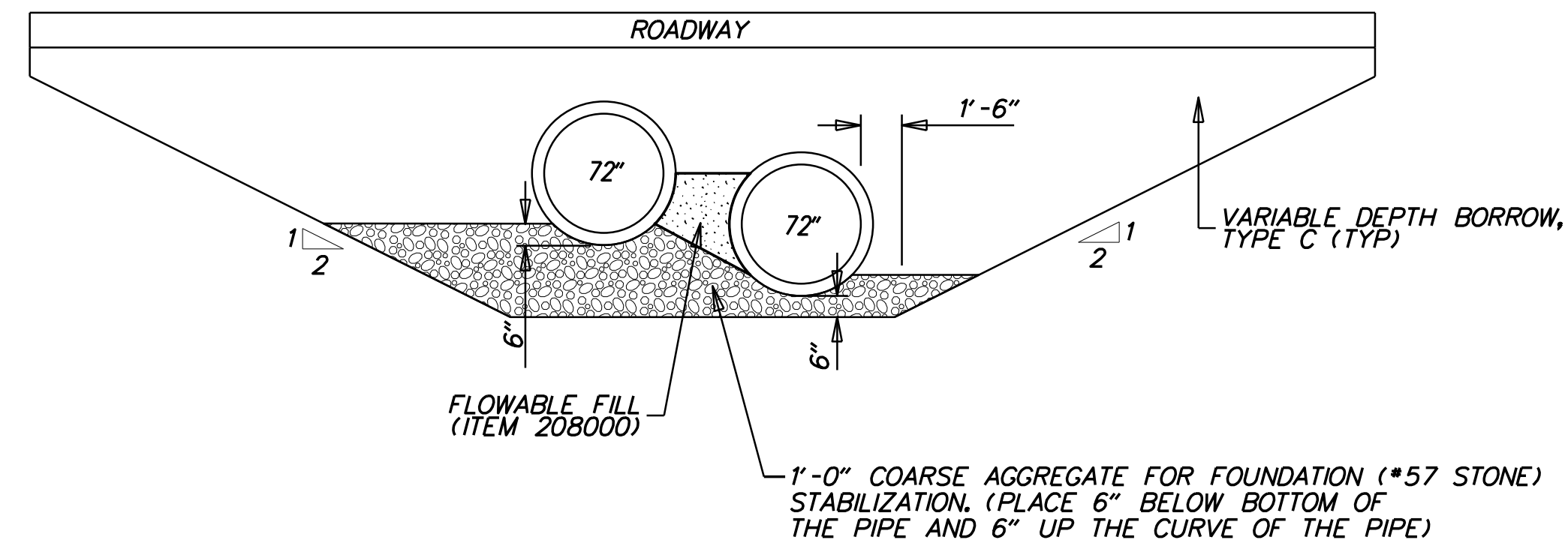


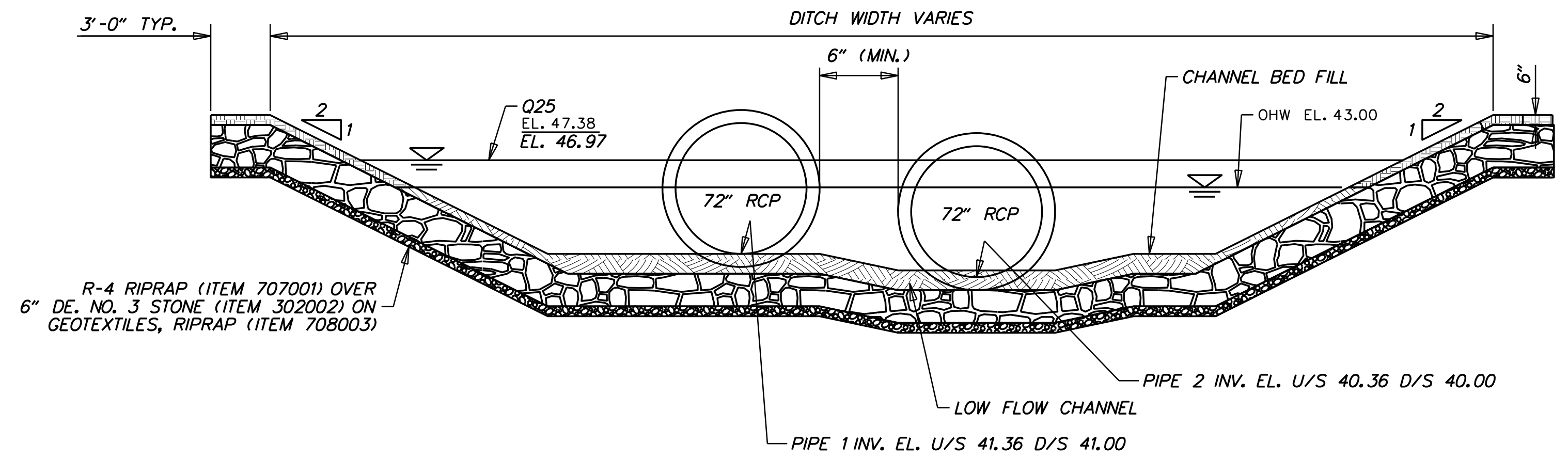
PLOTTED: 11/14/2019
 Z:\2017\1702MD027\CULVERT_SITES\2-303A_HIGHSTUMP\CADD\MICROSTATION\ROADWAY\PE-07_2-303A.DGN



BRIDGE SECTION



SECTION A-A



BRIDGE ELEVATION
(DOWNSTREAM LOOKING UPSTREAM)

1. MAINTAIN CULVERT SLOPE ON BEDFILL UPSTREAM AND DOWNSTREAM.
2. TYPICAL SLOPE IS 2H:1V BUT THE SLOPE WILL VARY AS NEEDED TO TIE INTO THE EXISTING EMBANKMENT
3. SEE ENVIRONMENTAL COMPLIANCE SHEET FOR ADDITIONAL NOTES.
4. ROADWAY PROFILE AND RIPRAP EMBANKMENT NOT SHOWN FOR CLARITY
5. LIGHT GRADATION IS TO BE USED FOR CHANNEL BED FILL.

	ADDENDUMS / REVISIONS		NOT TO SCALE	DESIGN-BUILD STATEWIDE PIPE REPLACEMENT PROJECT (BR 2-303A ON HIGH STUMP ROAD)	CONTRACT	BRIDGE NO.	2-303A	BRIDGE ELEVATION AND SECTION	SHEET NO.
					T201707002	DESIGNED BY: HLW			7
					COUNTY	CHECKED BY: KSJ			TOTAL SHTS.
					KENT				13