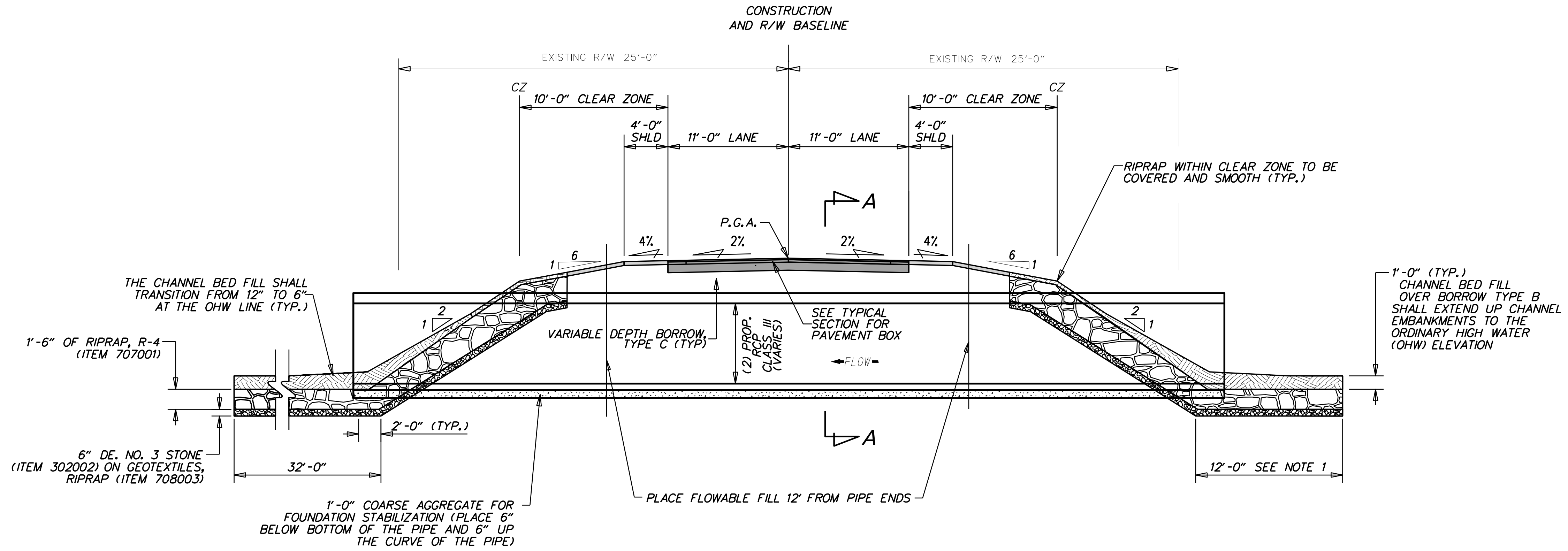
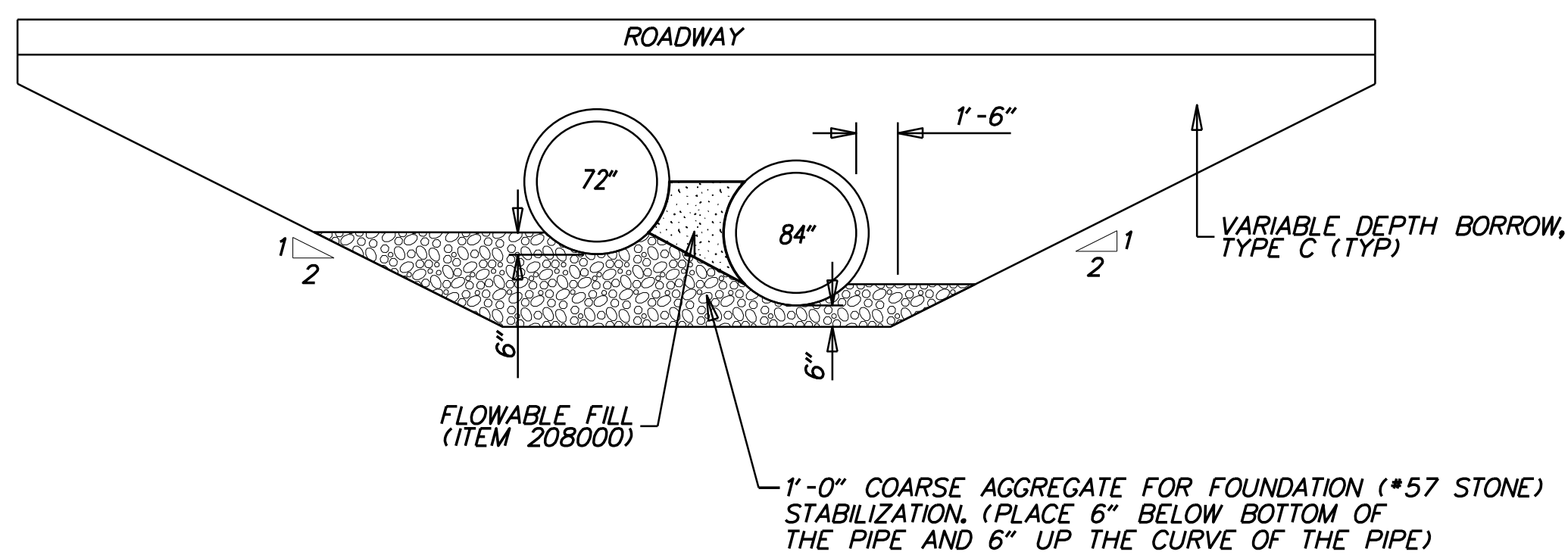


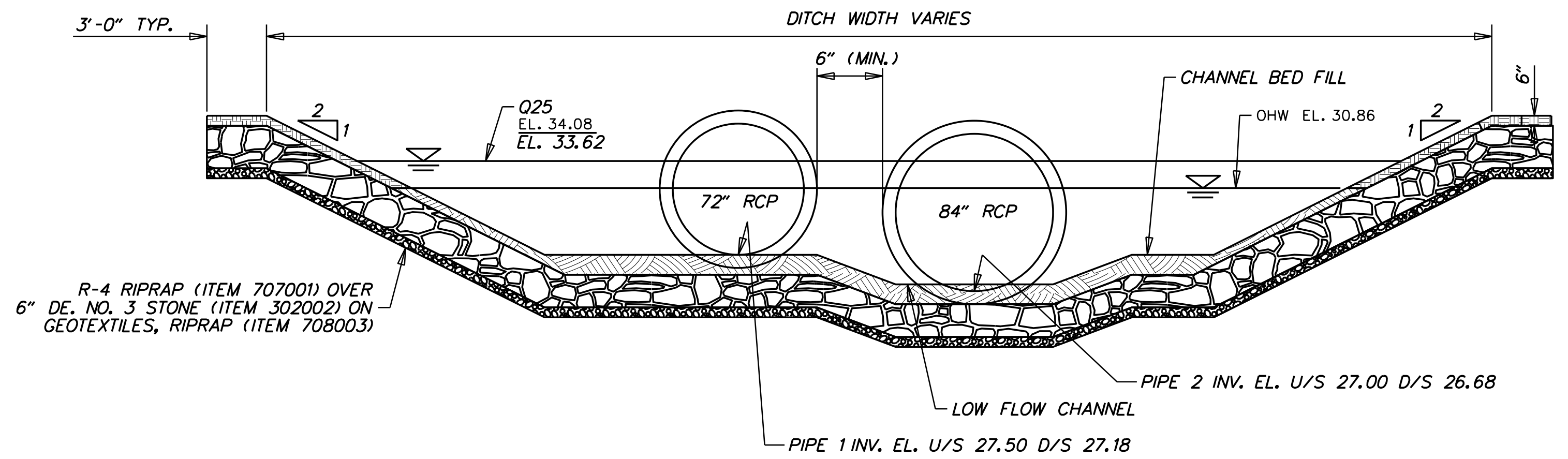
PLOTTED: 5/31/2019
Z:\2017\1702MD027\CULVERT_SITES\3-335_BACONS\CADD\MICROSTATION\ROADWAY\PE07_3-335.DGN



BRIDGE SECTION



SECTION A-A



BRIDGE ELEVATION
(UPSTREAM LOOKING DOWNSTREAM)

NOTES

1. MAINTAIN CULVERT SLOPE ON BEDFILL UPSTREAM AND DOWNSTREAM.
2. TYPICAL SLOPE IS 2H:1V BUT THE SLOPE WILL VARY AS NEEDED TO TIE INTO THE EXISTING EMBANKMENT
3. SEE ENVIRONMENTAL COMPLIANCE SHEET FOR ADDITIONAL NOTES.
4. ROADWAY PROFILE AND RIPRAP EMBANKMENT NOT SHOWN FOR CLARITY
5. LIGHT GRADATION IS TO BE USED FOR CHANNEL BED FILL.