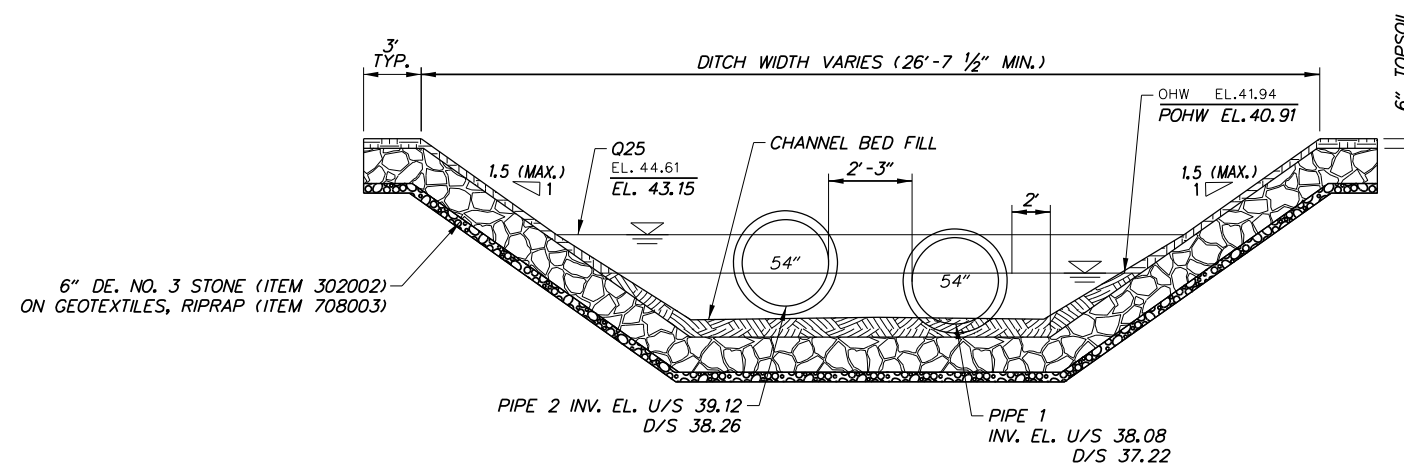


BRIDGE ELEVATION



TYPICAL SECTION
(DOWNSTREAM LOOKING UPSTREAM)

NOTES:

1. MAINTAIN CULVERT SLOPE OF 0.72%.
2. TYPICAL SLOPE IS 2H:1V BUT THE SLOPE WILL VARY AS NEEDED TO TIE INTO THE EXISTING EMBANKMENT.
3. SEE ENVIRONMENTAL COMPLIANCE SHEET FOR ADDITIONAL NOTES.
4. ROADWAY PROFILE AND RIPRAP EMBANKMENT NOT SHOWN FOR CLARITY.

DATE: \$DATE\$ TIME: \$TIME\$ PLOTTED BY: \$USERS\$ PATH: \$FILEL\$